

The AB series is BADRAN's traditional product and is being used with great success worldwide. After numerous refinements in recent years, it is now established on the market as a durable and reliable product. Proven technology in combination with innovative aspects put this actuator series in a class of its own.

### Key Features:

- Actuators for on-off (S2) and modulating (S4) control
- ATEX compliant, explosion-proof actuators
- Voltages from 24 V DC to 690 V AC 3~
- As multi turn actuators up to 5,000 Nm, with gearboxes: up to 43,000 Nm
- As part-turn actuators up to 300,000 Nm
- As linear actuators up to 400 kN and 500 mm stroke
- Positioning times from 3 seconds or 40 mm/sec.



LINEAR ACTUATOR  
AB40 A CSC+L300-18



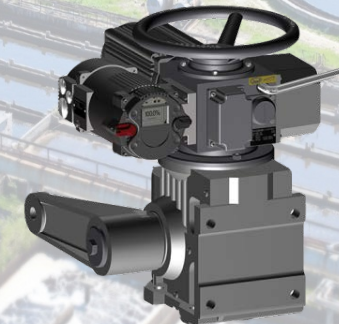
MULTI-TURN ACTUATOR  
AB18 A CSC



PART-TURN ACTUATOR 90°  
AB8 E CSC + IW6-140



MULTI-TURN ACTUATOR WITH GEARBOX  
E CSC + IS6



PART-TURN ACTUATOR 120°  
AB18 X CSC + SF87

