

Stainless Steel or Aluminium

IP.66 | Valve Position Monitor



Ex ia intrinsically safe

Type SRX CF8M (316) stainless steel ATEX or IECEx Certified Ex ia valve position monitor provides a high integrity system ideally suited for zones 0, 1 & 2 hazardous area locations typically found in the offshore, marine and coastal process industries. The IP66 enclosure has a bolt-on cover and top mounted high visibility open / close position indicator.



IP66 CF8M (316) stainless steel enclosure for superior corrosion protection and protection of internal electrical components from the harshest environments.

ATEX or IECEx Certified II 2 G / Ex ia IIC T6 intrinsically safe for zones 0, 1 & 2 hazardous areas.

Available with 2 x M20 conduit entries as standard (1/2" NPT versions are optional).

Switch / sensor terminations via. European approved terminal blocks.

Different electrical switch / sensor functions available including mechanical, reed proximity and inductive proximity.

Continuous feedback versions available with 4 to 20mA non-contact and programmable HART transmitters.

Touch and tune quick setting cams allow for fast and simple switch / sensor adjustments.

Compact design with bolt-on cover and top mounted high visibility open / close position indicator.

As standard, supplied with F05 mounting holes & Namur drive shaft to suit VDI/VDE.3845 topworks actuators (bracket required).

Special mounting kits available to suit non-standard topworks quarter-turn and linear stroke actuators.



Ex marking:

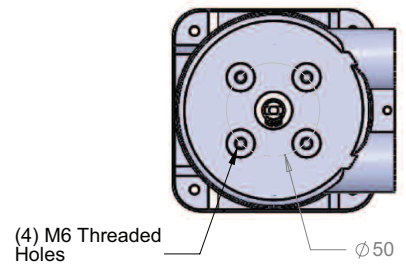
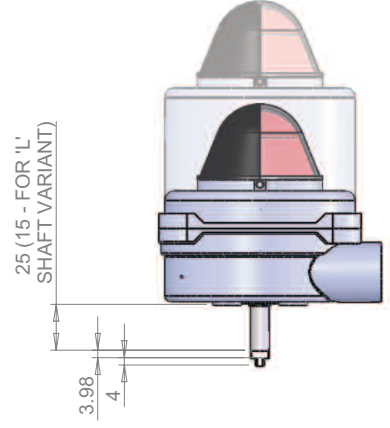
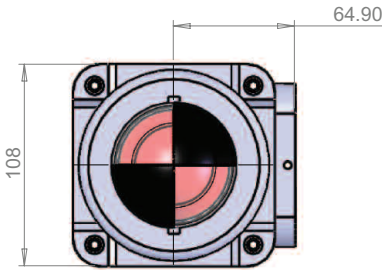
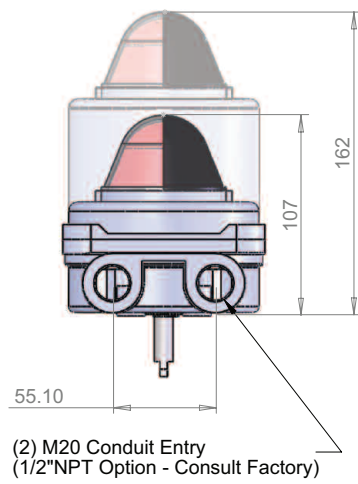
II 2 G
Ex ia IIC T4/5/6 Gb
T_{amb} = -50°C to +100°C

Notes:

The temperature class and ambient temperature range depends on the electrical function and construction of the system, please refer to hazardous area certificate documentation.

Certificate Number:

Sira 09ATEX2162X
IECEX SIR 09.0066X



Imtex Controls Limited is constantly improving the specifications, design and production of its products and alterations take place continually. Whilst every effort is made to produce up to date literature this leaflet should not be regarded as an inflexible guide to current specifications. E & OE.

Stainless Steel or Aluminium | IP.66 | Valve Position Monitor

www.imtex-controls.com/srx

Model Number Compilation (Drawing No. A190186 – IECEx / A190193 - ATEX)

Type	Electrical Function	Material of Construction	Conduit Size	Output Drive	Visual Indicator	-	Feature
SRX	42	S	5	M	R	-	W00

Code	Electrical Function - Standard Options ¹
17 / 56	(2) / (3 to 6) SPDT Mechanical Switches 'GP' Contacts
40 / 59	(2) / (3 to 6) SPST Reed Proximity Switches
42 / 52	(2) / (3 to 6) V3 Inductive Proximity Sensors
43 / 53	(2) / (3 to 6) Other Inductive Proximity Sensors
70	4 to 20mA Transmitter (Non-contact) / HART Optional
Material of Construction (Enclosure)	
S	CF8M (316) Stainless Steel
9	Aluminium (Anodised) Coated
Conduit Size	
5	(2) M20 x 1.5
B	(2) NPT – 2 x 1/2"
Output Drive	
L	Namur 15mm
M	Namur 25mm
S	2-pin Coupler
Visual Indicator*	
R	Red (Closed) / Green (Open)
C	0 to 100% Graduated
0	No Visual Indicator

*ABS material

Code	Feature
Cxx	IECEx-Certified Transmitter w/Type 3 Proximity (optional)
Dxx	IECEx-Type 3 Proximity Sensor
Exx	ATEX-Non-contact Transmitter w/Type 2 Low Temp Proximity (optional)
Fxx	ATEX-Resistive Transmitter w/Type 2 Low Temp Proximity (optional)
Gxx	ATEX-Non-contact Transmitter w/Volt Free Switches (optional)
Hxx	ATEX-Non-contact Transmitter w/Type 2 Proximity (optional)
Jxx	ATEX-Resistive Transmitter w/Volt Free Switches (optional)
Kxx	IECEx-Certified Transmitter w/Volt Free Switches (optional)
Lxx	IECEx-Certified Transmitter w/Type 1 Proximity (optional)
Mxx	IECEx-Type 1 Low Temp Proximity Sensor
Nxx	IECEx-Type 2 Low Temp Proximity Sensor
Pxx	IECEx-Certified Transmitter w/Type 2 Proximity (optional)
Rxx	IECEx-Type 1 Proximity Sensor
Sxx	IECEx-Volt Free Switches
Txx	ATEX-Type 1 Low Temp Proximity Sensor
Uxx	ATEX-Type 2 Low Temp Proximity Sensor
Vxx	ATEX-Resistive Transmitter w/Type 2 Proximity (optional)
Wxx	ATEX-Type 2 Proximity Sensor
Yxx	ATEX-Type 1 Proximity Sensor
Zxx	ATEX-Volt Free Switches
'xx'	See Note ²

NOTES

- Other Electrical Functions are available 'On Request'.
- The exact detail of electrical function fitted or any other special feature is not fully specified by the basic model code, therefore, the Feature Designator provides a mechanism for cross referencing to a centralised engineering log which identifies the detailed specification of the parts fitted in the given unit.
- Please refer to our Product Overview leaflet for full specification of the Electrical Functions provided or consult our Technical Sales.
- Functions 17, 40, 42 & 43 (cylindrical sensors up to 36mm long only) use a small cover, other functions use a tall cover.

