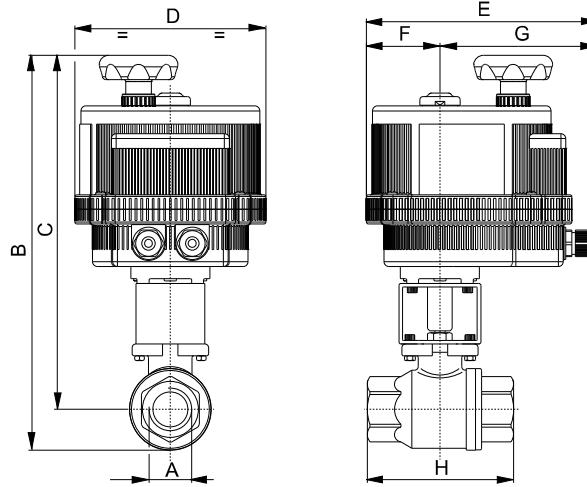


2 way ball valve [art. 700000], stainless steel AISI 316, threaded F/F, with electric actuator series 85.(Self-Extinguish Technopolymer Enclosure)



Art. 8E000***

PN	140	140	140	105	105	64	64	64	25	25	25
DN - A	1/4"	3/8"	1/2"	3/4"	1"	1"1/4	1"1/2	2"	2"1/2	3"	4"
B	198	198	204	251	306	315	370	385	429	450	503
C	183	183	186	228	279	283	330	337	368	378	415
D	123	123	123	123	157	157	185	185	211	211	211
E	164	164	164	164	191	191	215	215	237	237	237
F	43	43	43	43	61	61	68	68	84	84	84
G	121	121	121	121	130	130	147	147	153	153	153
H	55	55	66	79	93	100	110	131	159	185	222
ACT.	VB 015	VB 015	VB 015	VB 015	VB 030	VB 030	VB 060	VB 060	VB 110	VB 110	VB 190
RI	3782	3782	3782	3781	3030	3030	3031	3031	3003	3003	3004

*** VOLTAGE SUPPLY ORDER CODE		
12V AC/DC	24V AC/DC	100-240V AC
+ 001	+ 002	+ 004