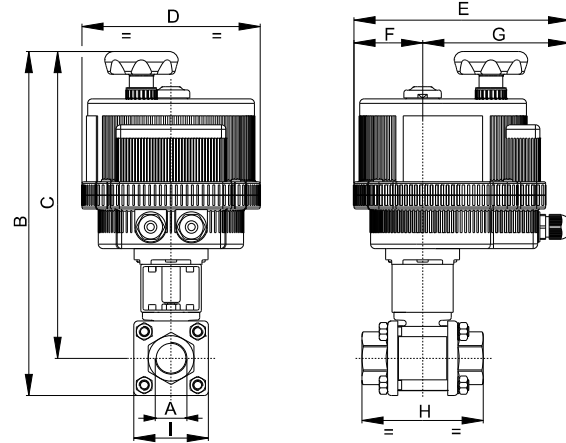


2 way, three piece ball valve [art.713000 F/F - 714000 SW - 715000 BW], carbon steel ASTM A105, with ball and stem in stainless steel AISI 304, with electric actuator series 85.(Self-Extinguish Technopolymer Enclosure)



Art. 8E004*** F/F - 8E032*** SW - 8E033*** BW

PN	• 64	64	64	40	40	25	25	25	16	16	16
DN - A	1/4"	3/8"	1/2"	3/4"	1"	1"1/4	1"1/2	2"	2"1/2	3"	4"
B	205	205	211	252	309	317	368	382	434	459	510
C	188	188	192	229	280	283	330	337	367	379	415
D	123	123	123	123	157	157	185	185	211	211	211
E	164	164	164	164	191	191	215	215	237	237	237
F	43	43	43	43	61	61	68	68	84	84	84
G	121	121	121	121	130	130	147	147	153	153	153
H	57	57	65	76	92	106	116	136	153	180	217
I	33	33	38	47	58	67	76	90	134	161	190
ACT.	VB 015	VB 015	VB 015	VB 015	VB 030	VB 030	VB 060	VB 060	VB 110	VB 110	VB 190
RI	3021	3021	3790	3781	3030	3030	3031	3031	3003	3003	3004

*** VOLTAGE SUPPLY ORDER CODE		
12V AC/DC + 001	24V AC/DC + 002	100-240V AC + 004