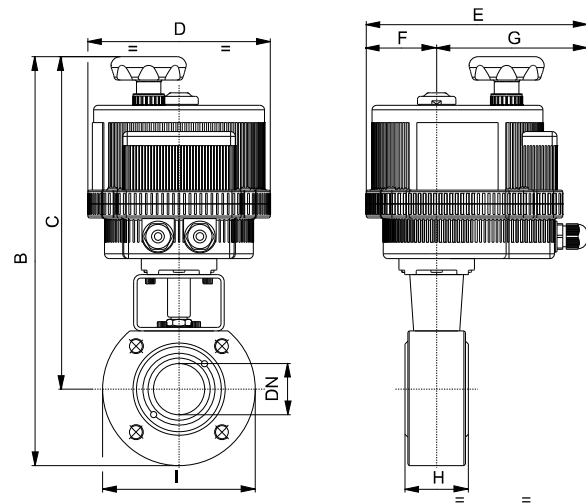


2 way "WAFER" ball valve, flanged [art. 722000], carbon steel ASTM A105, with ball and stem in stainless steel AISI 304, with electric actuator series 85.(Self-Extinguish Technopolymer Enclosure)



**Art. 8E007\*\*\***

DN	15	20	25	32	40	50	65	80	100	125	150
PN	16	16	16	16	16	16	16	16	16	16	16
B	269	278	335	351	399	412	456	474	525	562	614
C	224	228	280	286	329	337	369	379	415	437	464
D	123	123	157	157	185	185	211	211	211	211	222
E	164	164	191	191	215	215	237	237	237	237	247
F	43	43	61	61	68	68	84	84	84	84	77
G	121	121	130	130	147	147	153	153	153	153	170
H	35	40	46	54	64	82	103	122	152	196	232
I	90	100	110	130	140	150	175	190	220	250	300
ACT.	VB 015	VB 015	VB 030	VB 030	VB 060	VB 060	VB 110	VB 110	VB 190	VB 190	VB 350
RI	3780	3013	3001	3008	3002	3002	3003	3003	3004	3004	3006

*** VOLTAGE SUPPLY ORDER CODE		
12V AC/DC	24V AC/DC	100-240V AC
<b>+ 001</b>	<b>+ 002</b>	<b>+ 004</b>