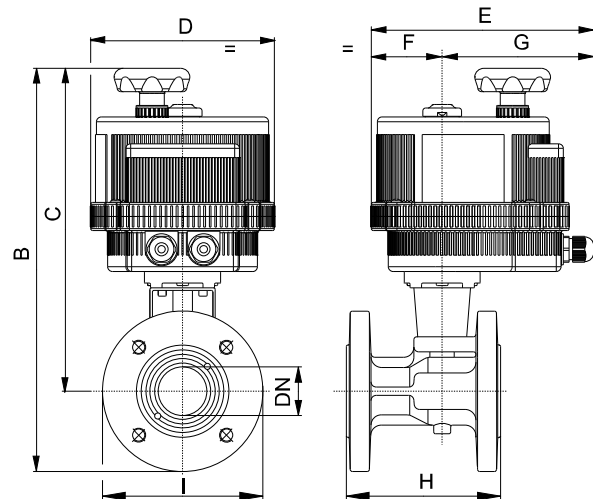


2 way flanged ball valve, cast iron G250 [art. 730008 da DN25 a DN65 - art. 730000 da DN80 a DN100], with chrome plated ball (face to face according to EN 558 BASIC SERIE14), with electric actuator series 85.(Self-Extinguish Technopolymer Enclosure)



Art. 8E009***

DN	25	32	40	50	65	80	100	125	150
PN	16	16	16	16	16	16	16	16	16
B	335	354	404	419	460	478	527	Art. 8E010***	Art. 8E010***
C	278	284	329	336	367	378	417		
D	157	157	185	185	211	211	211		
E	191	191	215	215	237	237	237		
F	61	61	68	68	84	84	84		
G	130	130	147	147	153	153	153		
H	125	130	140	150	170	180	190		
I	115	140	150	165	185	200	220		
ACT.	VB 030	VB 030	VB 060	VB 060	VB 110	VB 110	VB 190		
RI	3001	3001	3002	3002	3003	3003	3004		

*** VOLTAGE SUPPLY ORDER CODE		
12V AC/DC	24V AC/DC	100-240V AC
+ 001	+ 002	+ 004