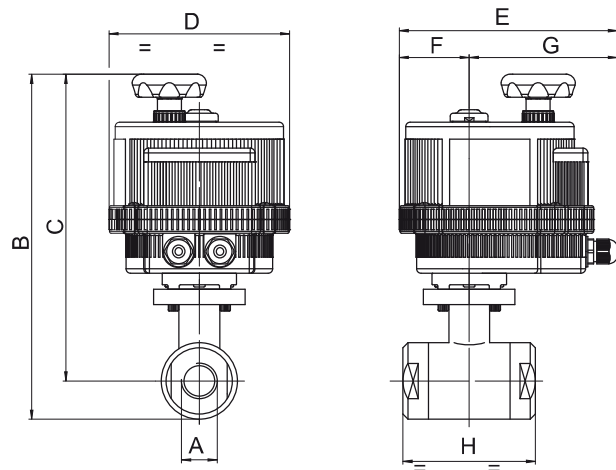


2 way stainless steel valve AISI 316, polished, seals in P.T.F.E, threaded F/F with electric actuator series 85.(Self-Extinguish Technopolymer Enclosure)



Art. 8E148***

PN	64	64	64	64	40	40	40	25	25	25	25
DN - A	1/4"	3/8"	1/2"	3/4"	1"	1"1/4	1"1/2	2"	2"1/2	3"	4"
B	196	196	201	208	266	275	328	344	383	404	434
C	181	181	183	187	240	245	291	299	327	338	352
D	123	123	123	123	157	157	185	185	211	211	211
E	164	164	164	164	191	191	215	215	237	237	237
F	43	43	43	43	61	61	68	68	84	84	84
G	121	121	121	121	130	130	147	147	153	153	153
H	52	52	62	72	82	92	104	116	128	150	178
ACT.	VB 015	VB 015	VB 015	VB 015	VB 030*	VB 030*	VB 060	VB 060	VB 110	VB 110	VB 110

* special version

*** VOLTAGE SUPPLY ORDER CODE		
12V AC/DC + 001	24V AC/DC + 002	100-240V AC + 004