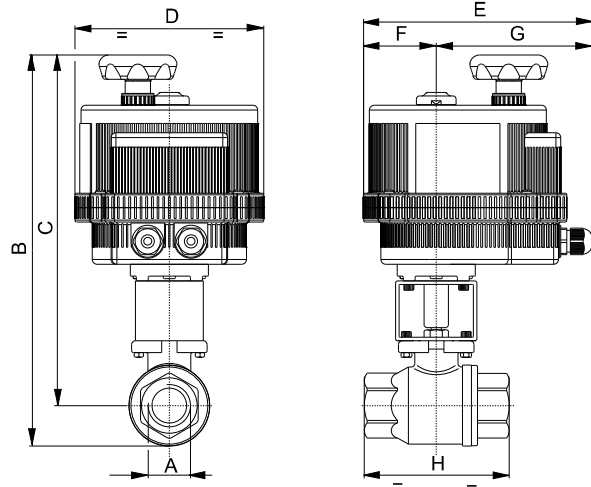


2 way ball valve [art. 705000], carbon steel ASTM A105-WCB, with ball and stem in stainless steel AISI 304, threaded F/F, full bore with electric actuator series 85.(Self-Extinguish Technopolymer Enclosure)



Art. 8E178***

PN	64	64	64	64	64	64	64	64
DN - A	1/4"	3/8"	1/2"	3/4"	1"	1"1/4	1"1/2	2"
B	198	198	204	251	306	315	370	385
C	183	183	186	228	279	283	330	337
D	123	123	123	123	157	157	185	185
E	164	164	164	164	191	191	215	215
F	43	43	43	43	61	61	68	68
G	121	121	121	121	130	130	147	147
H	55	55	66	79	93	98	110	130
ACT.	VB 015	VB 015	VB 015	VB 015	VB 030	VB 030	VB 060	VB 060
RI	3782	3782	3782	3781	3030	3030	3031	3031

*** VOLTAGE SUPPLY ORDER CODE		
12V AC/DC + 001	24V AC/DC + 002	100-240V AC + 004