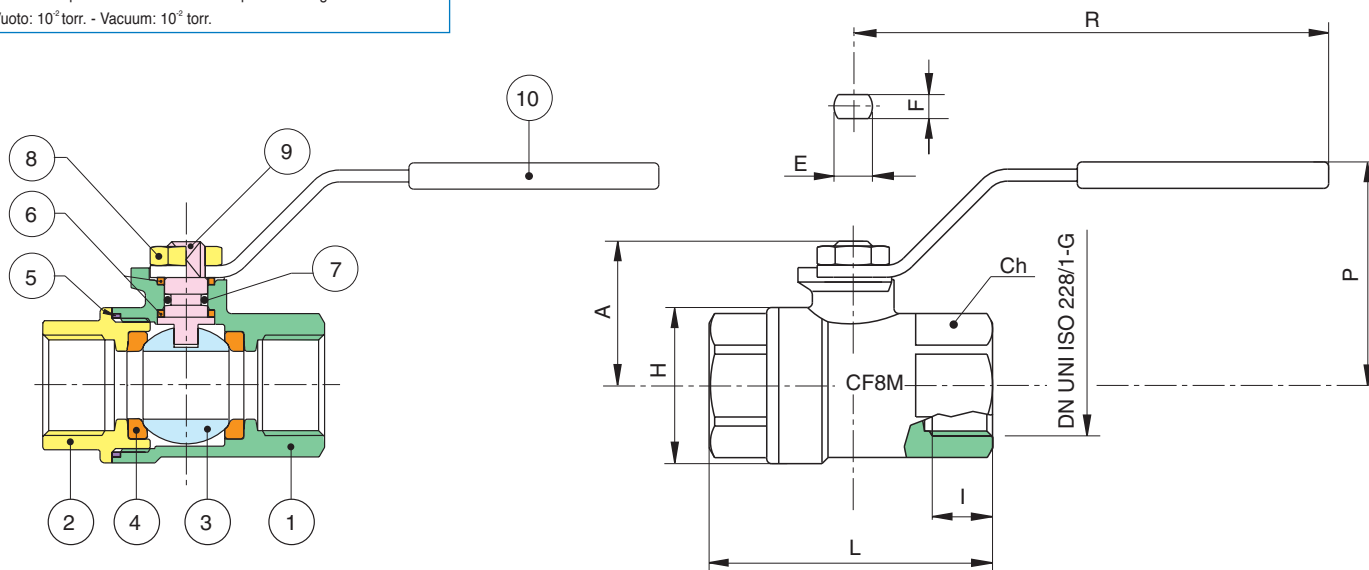


- Valvola a sfera in acciaio inox AISI 316-CF8M, filettatura F/F, a passaggio totale.
- Full bore stainless steel AISI 316-CF8M ball valve, F/F threading.
- Vanne à boisseau sphérique en acier inox AISI 316-CF8M, F/F, à passage intégral.
- Edelstahlkugelhahn aus AISI 316-CF8M, Innengewinde, mit vollem Durchgang.
- Válvula de bola en acero inoxidable AISI 316-CF8M, rosca H/H, de paso total.

Limiti di temperatura: -20° +160° - Temperature range: -20° +160°
Vuoto: 10² torr. - Vacuum: 10² torr.



| POS. | DENOMINAZIONE | PART NAME | DESCRIPTION | TEILBENENNUNG | DENOMINACION | MATERIALE-MATERIALS MATERIAUX-WERKSTOFF- MATERIAL | N°P |
|------|-------------------|----------------|----------------------|----------------|----------------|--|-----|
| 1 | CORPO | BODY | CORPS | GEHÄUSE | CUERPO | A351-CF8M | 1 |
| 2 | MANICOTTO | END CONNECTION | MANCHON | MUFFE | TERMINAL | A351-CF8M | 1 |
| 3 | SFERA | BALL | BILLE | KUGEL | BOLA | A182-F316 / A351-CF8M | 1 |
| 4 | GUARNIZIONE SFERA | BALL SEAT | JOINT DE TENUE BILLE | KUGELDICHTUNG | ASIENTO ESFERA | P.T.F.E. | 2 |
| 5 | GUARNIZIONE | SEAT | JOINT | DICHTUNG | JUNTAS | P.T.F.E. | 1 |
| 6 | RONDELLA ASTA | THRUST WASHER | RONDELLE DE L'AXE | SPINDELSCHEIBE | EMPAQUETADURA | P.T.F.E. | 2 |
| 7 | O-RING | O-RING | O-RING | O-RING | O-RING | FKM (VITON®) | 1 |
| 8 | DADO | NUT | ECROU | MUTTER | TUERCA | A182-F304 | 1 |
| 9 | ASTA | STEM | TIGE | SPINDEL | EJE | A182-F316 | 1 |
| 10 | LEVA | HANDLE | POIGNÉE | HANDEBEL | PALANCA | INOX AISI 430 | 1 |

| MISURA SIZE | DN | BOX | A | H | L | R | Ch | I | E | F | P | Kv | PN | Kg |
|----------------|----|-----|------|------|------|-----|-------|------|----|---|----|-------|----|------|
| 1/4" | 8 | 15 | 28 | 30 | 53,5 | 110 | ES.22 | 10 | 8 | 5 | 44 | 5,5 | 64 | 0,22 |
| 3/8" | 10 | 15 | 28 | 30 | 53,5 | 110 | ES.22 | 10 | 8 | 5 | 44 | 8,5 | 64 | 0,20 |
| 1/2" | 15 | 10 | 30,5 | 32,5 | 60 | 110 | ES.27 | 13 | 8 | 5 | 47 | 19,2 | 64 | 0,25 |
| 3/4" | 20 | 15 | 37 | 40 | 70 | 131 | ES.32 | 14 | 10 | 7 | 54 | 35,0 | 40 | 0,45 |
| 1" | 25 | 5 | 41 | 49 | 79 | 131 | OT.41 | 17 | 10 | 7 | 58 | 64,5 | 40 | 0,85 |
| 1"1/4 | 32 | 2 | 50 | 62 | 91 | 174 | OT.50 | 19 | 12 | 8 | 70 | 103,8 | 25 | 1,20 |
| 1"1/2 | 40 | 2 | 57 | 75 | 103 | 174 | OT.55 | 19,5 | 12 | 8 | 76 | 174,0 | 25 | 1,80 |
| 2" | 50 | 2 | 66 | 95 | 124 | 174 | OT.70 | 22,5 | 12 | 8 | 86 | 301,3 | 25 | 2,70 |