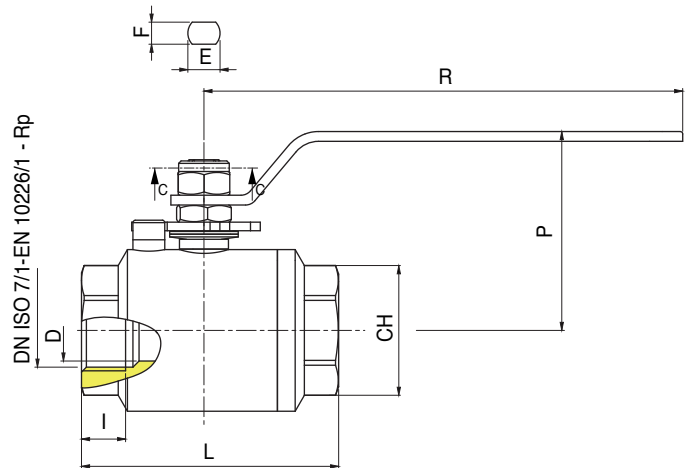
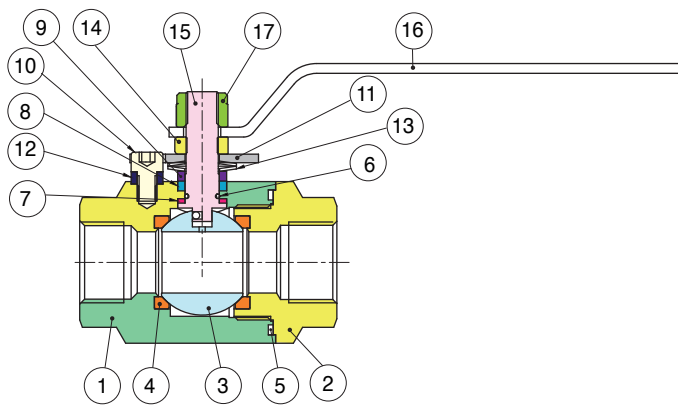


- Valvola a sfera monoblocco classe 800 in acciaio inox AISI 316 e acciaio al carbonio ASTM A105, passaggio totale, filettatura F/F, dispositivo antistatico.
- Barstock ball valve monobloc type class 800 in stainless steel AISI 316 and carbon steel ASTM A105, full bore, F/F threading, Antistatic Device.
- Vanne monobloc à boisseau sphérique class 800 en acier inox AISI 316 et acier au carbon ASTM A105, à passage intégral, F/F, dispositif antistatique.
- Monoblock Kugelhähne Class 800 aus Edelstahl AISI 316 und C-Stahl ASTM A105, Innengewinde, mit vollem Durchgang, antistatische Ausführung.
- Válvula de bola Monobloc class 800 en acero inoxidable AISI 316 y acero al carbono ASTM A105, rosca H/H, de paso total, dispositivo antiestático.

Stainless steel: Limiti di temperatura: -20° +160° - Temperature range: -20° +160°  
Carbon steel: Limiti di temperatura: -10° +160° - Temperature range: -10° +160°  
Vuoto: 10<sup>3</sup> torr. - Vacuum: 10<sup>3</sup> torr.



Art.709000

Art. 709100

POS.	DENOMINAZIONE	PART NAME	DESCRIPTION	TEILBENENNUNG	DENOMINACION	MATERIALE - MATERIALS - MATERIAUX - WERKSTOFF- MATERIAL		N°P
1	CORPO	BODY	CORPS	GEHÄUSE	CUERPO	A182-F316	ASTM-A105	1
2	MANICOTTO	END CONNECTION	MANCHON	MUFFE	TERMINAL	A182-F316	ASTM-A105	1
3	SFERA	BALL	BILLE	KUGEL	BOLA	A182-F316	A182-F304	1
4	GUARNIZIONE SFERA	BALL SEAT	JOINT DE TENUE BILLE	KUGELDICHTUNG	ASIENTO ESFERA	R.P.T.F.E	R.P.T.F.E	2
5	GUARNIZIONE CORPO	BODY SEAT	JOINT DE CORPS	GEÄUSE ABDICHTUNG	ASIENTO CUERPO	R.P.T.F.E	R.P.T.F.E	1
6	O-RING	O-RING	O-RING	O-RING	O-RING	FKM (VITON®)	FKM (VITON®)	1
7	RONDELLA ASTA	THRUST WASHER	RONDELLE DE L'AXE	SPINDELSCHEIBE	EMPAQUETADURA	R.P.T.F.E	R.P.T.F.E	1
8	GUARNIZIONE ASTA	STEM SEAT	JOINT DE L'AXE	SPINDELDICHTUNG	ASIENTO EJE	STAINLESS STEEL	STAINLESS STEEL	1
9	BUSSOLA ASTA	BUSH	BAGUE	BUCHSE	ANILLO	STAINLESS STEEL	STAINLESS STEEL	1
10	VITE	SCREW	VIS	SCHRAUBE	TORNILLO	STAINLESS STEEL	STAINLESS STEEL	1
11	MEZZOGIRO	90° STOP	90° STOP	90° STOP	90° STOP	STAINLESS STEEL	STAINLESS STEEL	1
12	BUSSOLA DI FERMO	BUSH	BAGUE	BUCHSE	ANILLO	STAINLESS STEEL	STAINLESS STEEL	1
13	MOLLA A TAZZA	SPRING WASHER	RESSORT À DISQUES	TELLERFEDER	MUELLE CONTENEDOR	CARBON STEEL	CARBON STEEL	2
14	DADO	NUT	ECROU	MUTTER	TUERCA	STAINLESS STEEL	STAINLESS STEEL	1
15	ASTA	STEM	TIGE	SPINDEL	EJE	A182-F304	A182-F304	1
16	LEVA	HANDLE	POIGNÉE	HANDHEBEL	PALANCA	STAINLESS STEEL	STAINLESS STEEL	1
17	DADO AUTOBLOCCANTE	NUT	ECROU	MUTTER	TUERCA	STAINLESS STEEL	STAINLESS STEEL	1

MISURA SIZE	DN	D	I	L	R	P	E	F	CH	Kv	Kg
1/4"	8	10	10	70	133	56	8	5	32	5,6	0,77
3/8"	10	10	10	70	133	56	8	5	32	5,6	0,66
1/2"	15	13	13	85	160	64	10	6	32	18,2	1,03
3/4"	20	20	17	95	180	73	12	7	39	35	1,30
1"	25	25	17	105	195	80	14	9	47	64,5	2,02
1"1/4	32	32	20	120	210	81	14	9	60	103,8	3,30
1"1/2	40	38	23	130	270	96	18	12	64	168	4,39
2"	50	50	23	150	270	104	18	12	80	301,3	7,33