

## Smart Positioner TMP-3000

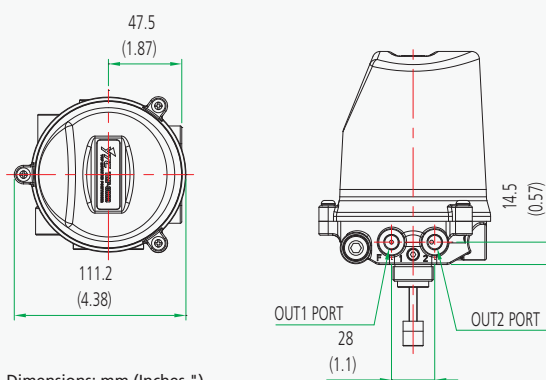
### Solenoid Technology

#### Design features

- **Vertical mounting.** Easy to mount installation.
- **Fail Freeze and Fail Safe function.** Enables the valve maintain the last position (Fail Freeze) or move to a pre-determined position (Fail Safe) on the loss of electrical power supply or the pneumatic supply air.
- **LCD display.** Backlit alphanumeric digital display for process values and calibration.
- **Feedback signal.** 4 to 20 mA output option.
- **Auto calibration.** Simple menu structure with options to auto calibrate all parameters or zero and end points only.
- **Low air consumption level.** Almost zero air leakage.
- **Front panel pushbuttons for configuration.** Positive acting pushbuttons for field configuration.



TMP-3000



Dimensions: mm (Inches ")

Item Type	TMP-3000
Power Supply	24 VDC $\pm$ 10%
Input Signal	4 to 20 mA, 0 to 5 / 10 V
Power Consumption	< 4W
Output	4 to 20 mA
Output Characteristics	Linear, EQ%, Quick Open, User Set (16 points)
Operating Temp.	-10 to 60 °C (14 to 140°F)
Supply Pressure	0 to 0.7 MPa (0 to 7 bar)
Air Consumption	0 LPM
Flow Capacity	20 / 50 LPM
Filtering Size	5 micron
Acting Type	Single 2 solenoid valves Double 4 solenoid valves
Stroke	5 to 40 mm
Air Connection	G1/8 (Ø6 mm tube)
Conduit	M16 x 1.5 (with screw terminals)
Ingress Protection	IP67
Body Material	PPS
Cover Material	PC
Weight	820 g (1.8 lb)

#### Product Code

**TMP-3000 - S - N - G - 1 - 0 - F**

##### Model

TMP-3000 = Smart Positioner

##### Acting Type

S = Single  
D = Double

##### Explosion Protection

N = Non-Explosion

##### Conduit & Air Connection

G = M16 x 1.5 - G1/8

##### Flow Capacity

1 = 20 LPM  
2 = 50 LPM

##### Output Options

0 = NONE  
1 = 4 to 20 mA feedback

##### Fail Option

F = Fail Freeze  
S = Fail Safe