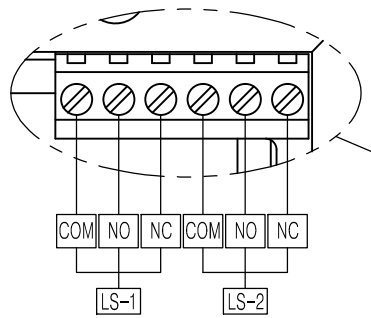
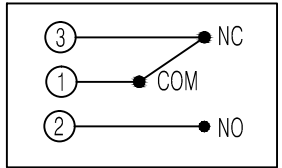


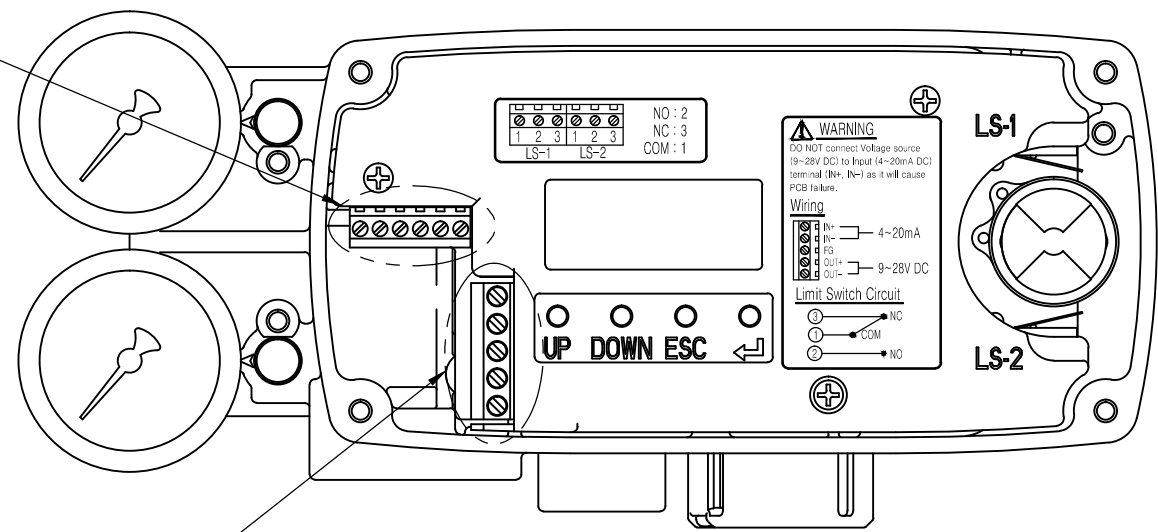
REV.NO.	REVISION DESCRIPTION	DRAWN / DATE	REVIEWED / DATE	APPROVED / DATE
0	First Issued	JCS/20110618		LYH/20110618
	Ommision in the middle			
3	Drawing arrangement	KSH/20190103	JJS/20190103	KTJ/20190103
4	Drawing title block updated	KCH/20190731	JJS/20190731	KTJ/20190731



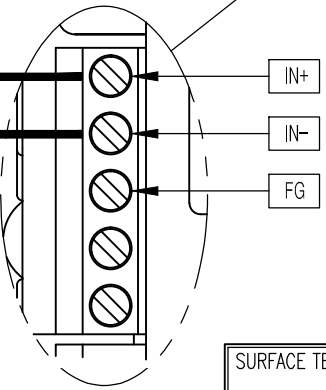
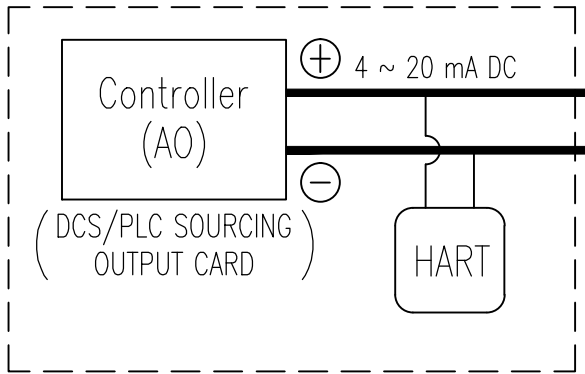
2 WIRE CONNECTION



<MECHANICAL SWITCH TERMINAL>



\* Micro Switch Rating  
AC 125V 3A / DC 30V 2A



PROJECT NAME \_\_\_\_\_

SURFACE TEXTURE		PRODUCT NAME SMART POSITIONER		Rotork YTC Limited GMPO-SI, KOREA	
FINISH TREATMENT		MODEL YT-2500, 2550			
MATERIAL		PROJECTION 3rd	SCALE -	TITLE YT-2500/2550 + HART + L/S(2xSPDT) WIRING DIAGRAM	
OTHERWISE NOTE	GENERAL TOLERANCE	QUANTITY 1	SHEET No. 1 / 1	DRAWING NO. 2500-07	REV. 4