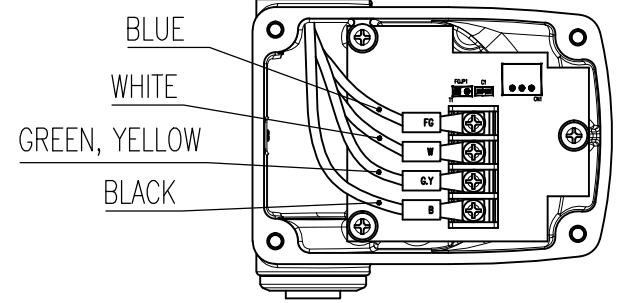
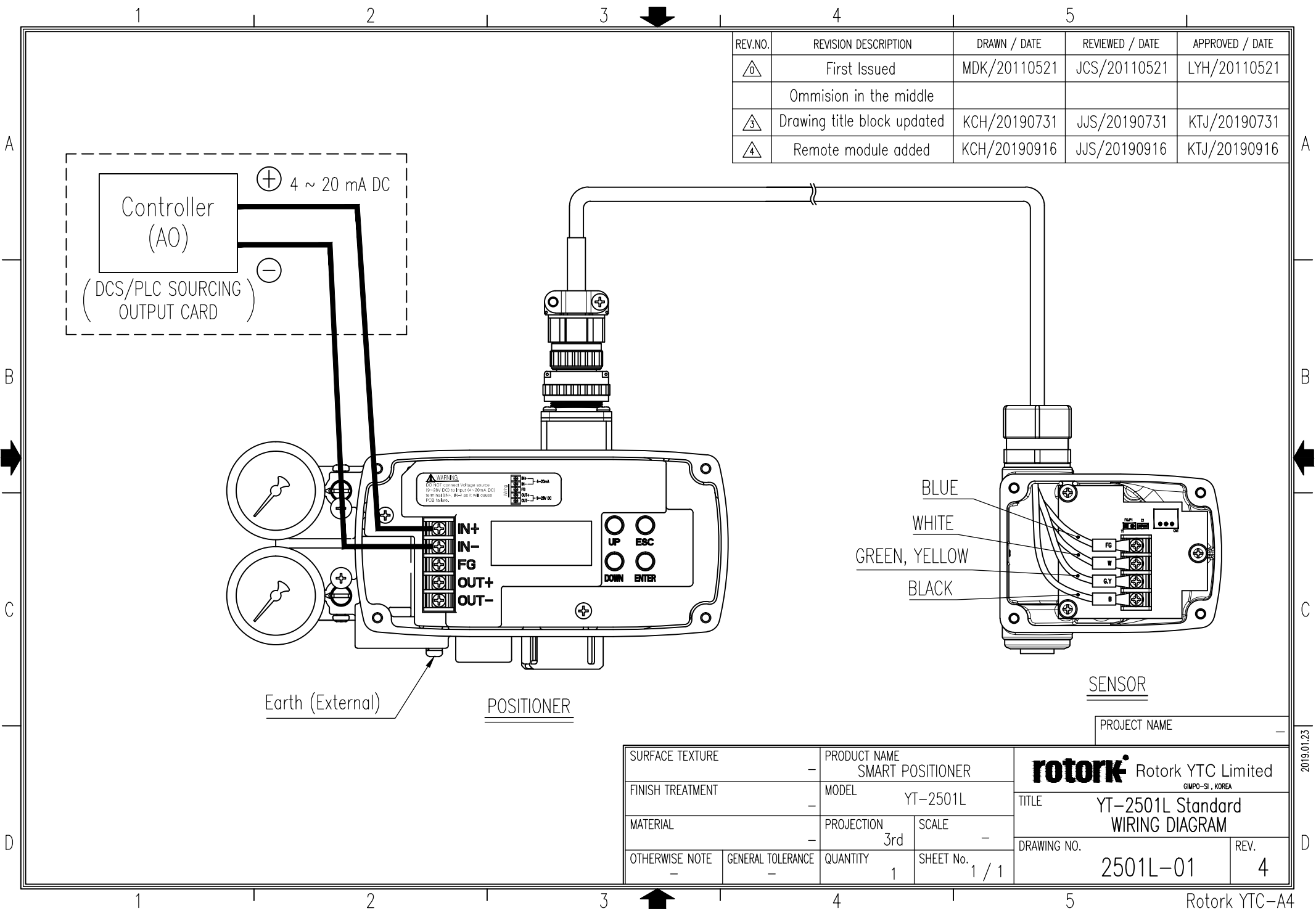


| REV.NO. | REVISION DESCRIPTION | DRAWN / DATE | REVIEWED / DATE | APPROVED / DATE |
|---------|-----------------------------|--------------|-----------------|-----------------|
| △0 | First Issued | MDK/20110521 | JCS/20110521 | LYH/20110521 |
| | Ommision in the middle | | | |
| △3 | Drawing title block updated | KCH/20190731 | JJS/20190731 | KTJ/20190731 |
| △4 | Remote module added | KCH/20190916 | JJS/20190916 | KTJ/20190916 |



PROJECT NAME _____

| | | | | | | | |
|------------------|-------------------|----------|-----------|----------------------------------|------------|--|--|
| SURFACE TEXTURE | | - | | PRODUCT NAME SMART POSITIONER | | Rotork YTC Limited GMPQ-SI, KOREA | |
| FINISH TREATMENT | | - | | MODEL YT-2501L | | | |
| MATERIAL | | - | | PROJECTION 3rd | SCALE - | TITLE YT-2501L Standard WIRING DIAGRAM | |
| OTHERWISE NOTE | GENERAL TOLERANCE | QUANTITY | SHEET No. | DRAWING NO. | | REV. | |
| - | - | 1 | 1 / 1 | 2501L-01 | | 4 | |