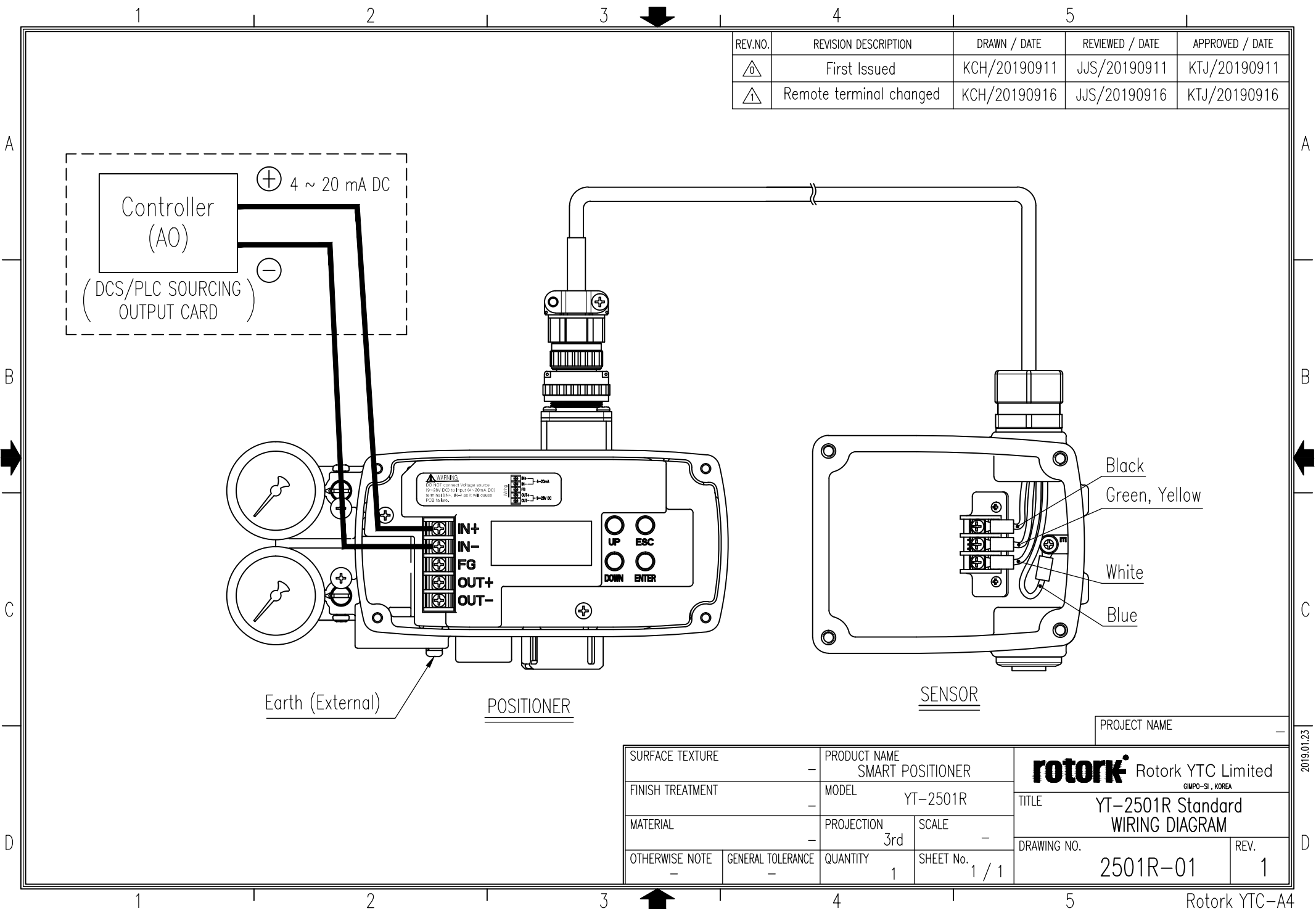


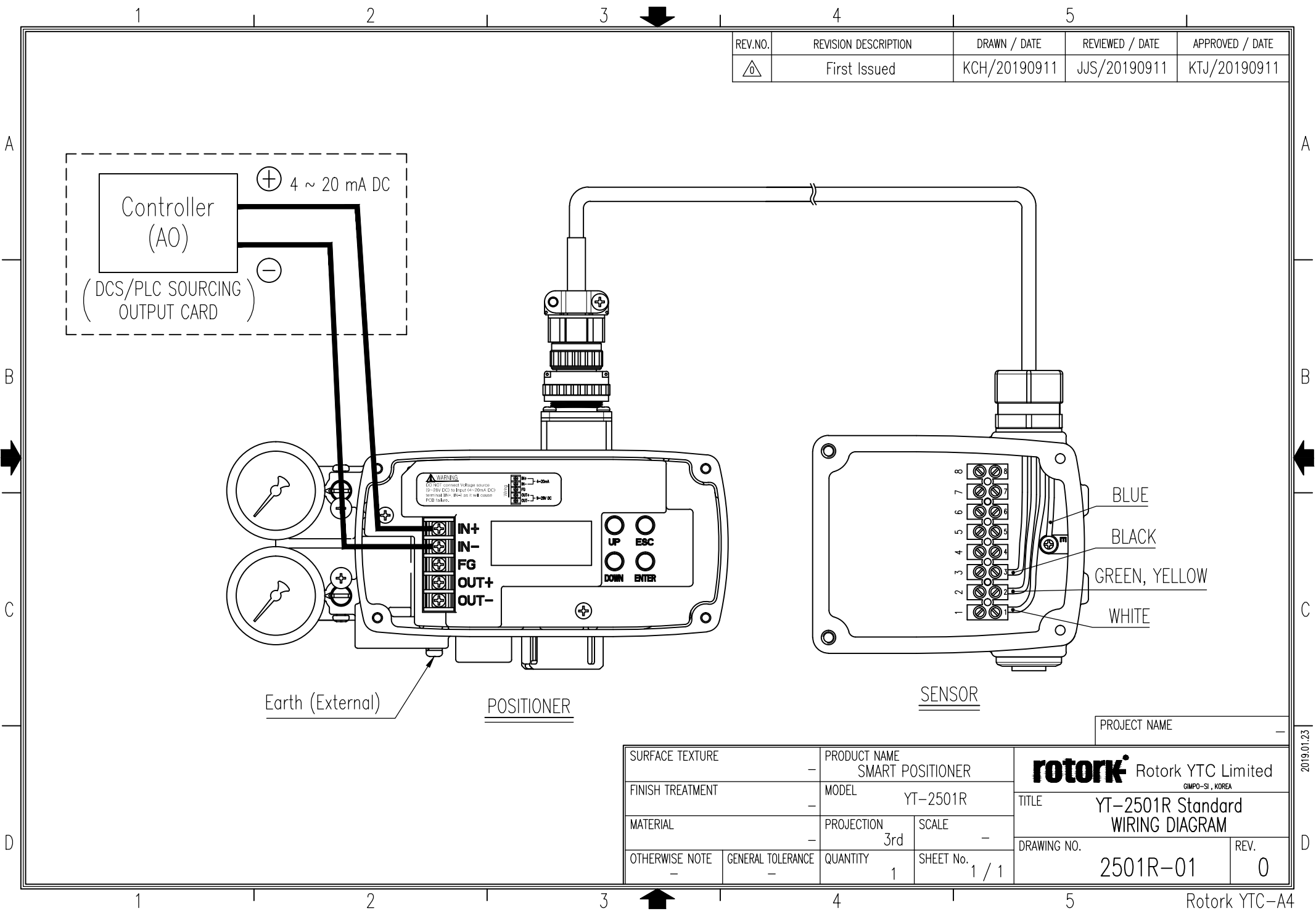
REV.NO.	REVISION DESCRIPTION	DRAWN / DATE	REVIEWED / DATE	APPROVED / DATE
△	First Issued	KCH/20190911	JJS/20190911	KTJ/20190911
△	Remote terminal changed	KCH/20190916	JJS/20190916	KTJ/20190916



PROJECT NAME \_\_\_\_\_

SURFACE TEXTURE		PRODUCT NAME		Rotork YTC Limited <small>GMPO-SI, KOREA</small>	
-		SMART POSITIONER			
FINISH TREATMENT		MODEL		TITLE	
-		YT-2501R		YT-2501R Standard WIRING DIAGRAM	
MATERIAL		PROJECTION	SCALE	DRAWING NO.	
-		3rd	-	2501R-01	
OTHERWISE NOTE	GENERAL TOLERANCE	QUANTITY	SHEET No.	REV.	
-	-	1	1 / 1	1	

REV.NO.	REVISION DESCRIPTION	DRAWN / DATE	REVIEWED / DATE	APPROVED / DATE
△	First Issued	KCH/20190911	JJS/20190911	KTJ/20190911



SURFACE TEXTURE		PRODUCT NAME		Rotork YTC Limited <small>GMPO-SI, KOREA</small>	
FINISH TREATMENT		SMART POSITIONER			
MATERIAL		MODEL		TITLE	
OTHERWISE NOTE		YT-2501R		YT-2501R Standard WIRING DIAGRAM	
GENERAL TOLERANCE		PROJECTION		DRAWING NO.	
		3rd		2501R-01	
		SCALE		REV.	
		-		0	
		QUANTITY			
		1			
		SHEET No.			
		1 / 1			

PROJECT NAME \_\_\_\_\_