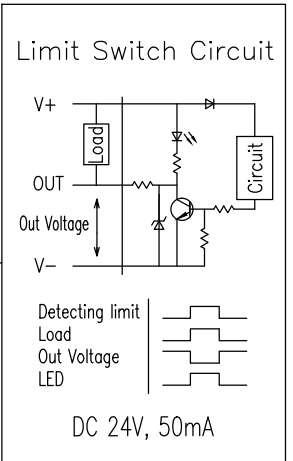
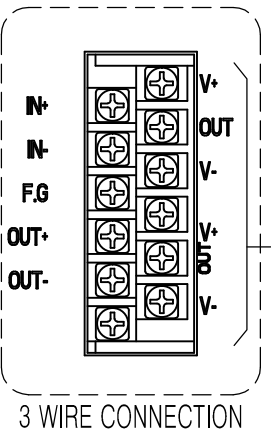
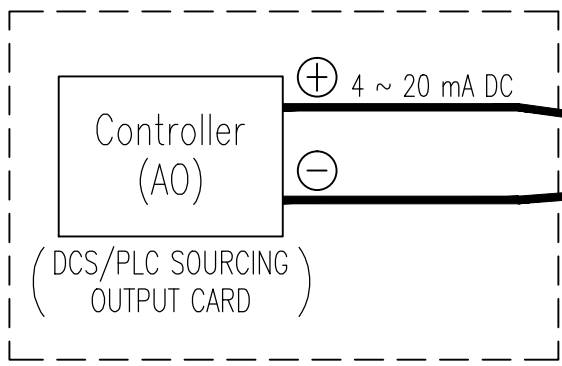
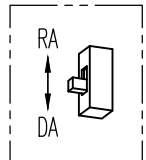
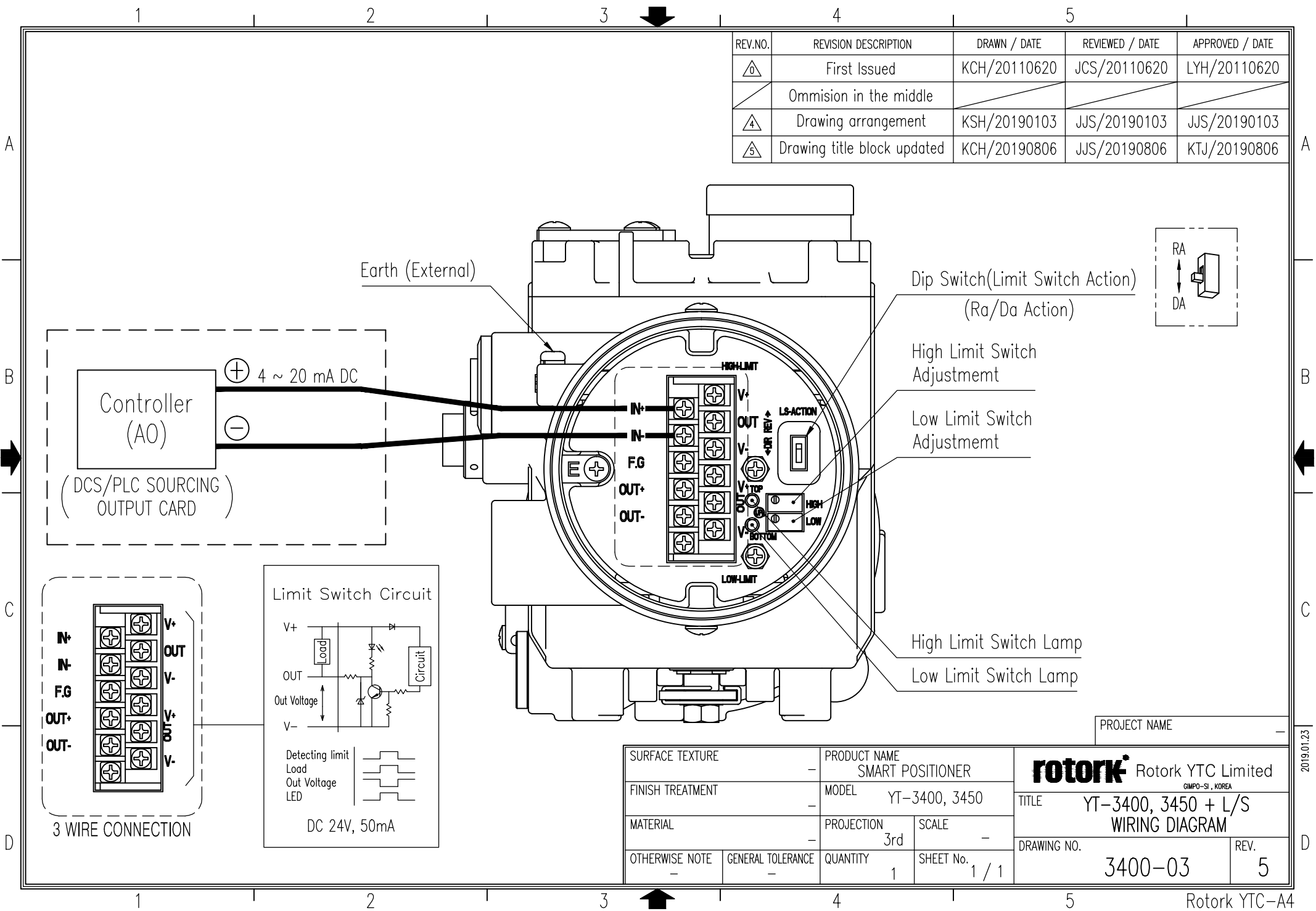


REV.NO.	REVISION DESCRIPTION	DRAWN / DATE	REVIEWED / DATE	APPROVED / DATE
△0	First Issued	KCH/20110620	JCS/20110620	LYH/20110620
△1	Ommision in the middle			
△4	Drawing arrangement	KSH/20190103	JJS/20190103	JJS/20190103
△5	Drawing title block updated	KCH/20190806	JJS/20190806	KTJ/20190806



PROJECT NAME _____

SURFACE TEXTURE		PRODUCT NAME	
-		SMART POSITIONER	
FINISH TREATMENT		MODEL	
-		YT-3400, 3450	
MATERIAL		PROJECTION	SCALE
-		3rd	-
OTHERWISE NOTE	GENERAL TOLERANCE	QUANTITY	SHEET No.
-	-	1	1 / 1

Rotork YTC Limited <small>GMPO-SI, KOREA</small>			
		TITLE	
YT-3400, 3450 + L/S		DRAWING NO.	
WIRING DIAGRAM		3400-03	
REV.		5	