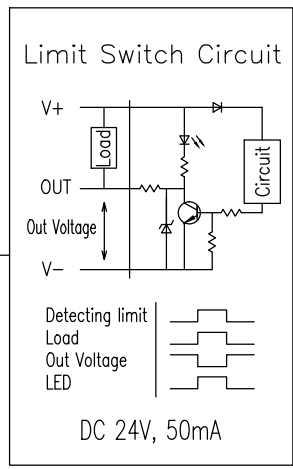
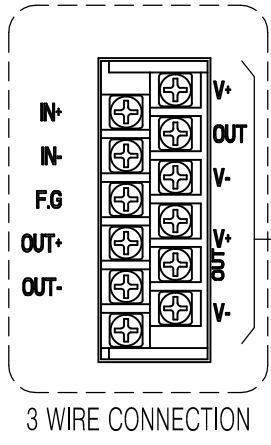
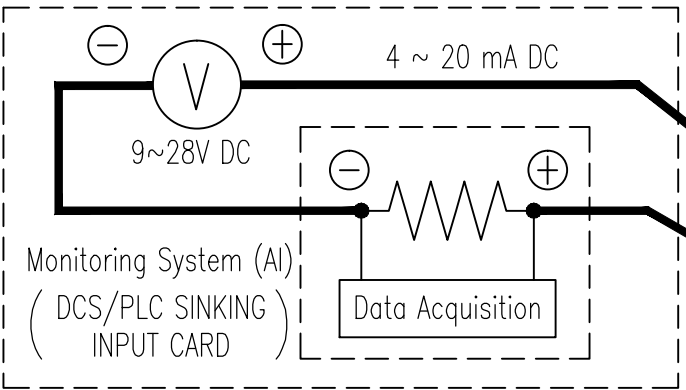
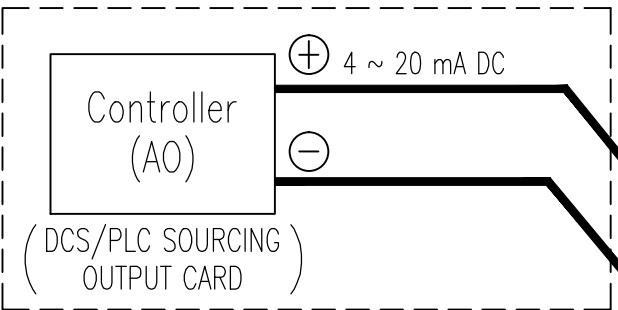
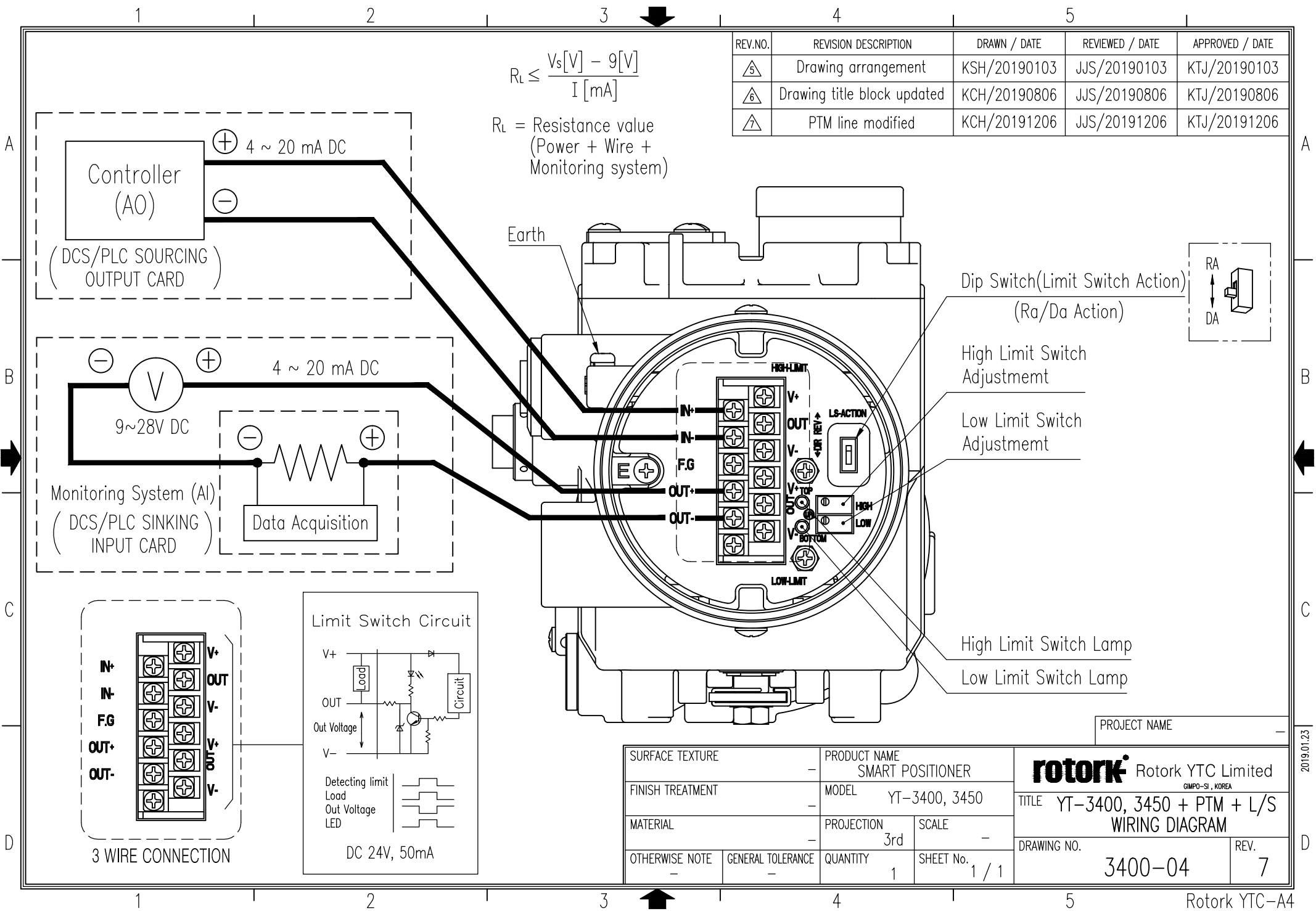


REV.NO.	REVISION DESCRIPTION	DRAWN / DATE	REVIEWED / DATE	APPROVED / DATE
△5	Drawing arrangement	KSH/20190103	JJS/20190103	KTJ/20190103
△6	Drawing title block updated	KCH/20190806	JJS/20190806	KTJ/20190806
△7	PTM line modified	KCH/20191206	JJS/20191206	KTJ/20191206

$$R_L \leq \frac{V_s[V] - 9[V]}{I [mA]}$$

R_L = Resistance value
(Power + Wire + Monitoring system)



PROJECT NAME _____

SURFACE TEXTURE		PRODUCT NAME		rotork Rotork YTC Limited GIMPO-SI., KOREA	
-		SMART POSITIONER			
FINISH TREATMENT		MODEL		TITLE	
-		YT-3400, 3450		YT-3400, 3450 + PTM + L/S WIRING DIAGRAM	
MATERIAL		PROJECTION	SCALE	DRAWING NO.	
-		3rd	-	3400-04	
OTHERWISE NOTE	GENERAL TOLERANCE	QUANTITY	SHEET No.	REV.	
-	-	1	1 / 1	7	