

GENERAL DESCRIPTION / APPLICATIONS

DIMENSIONS (millimeters)



Three way direct acting solenoid valve with spring return.

Suitable for gaseous and liquid media compatible with the (body/seals) material used, vacuum.

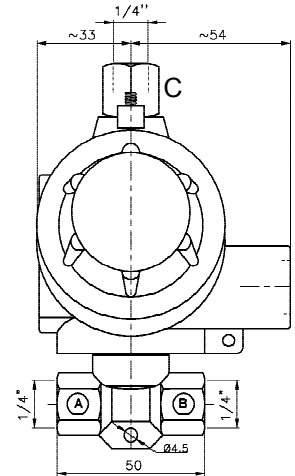
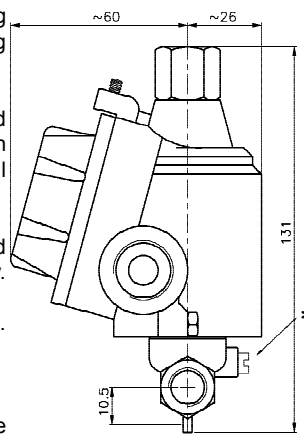
Forged brass, nickel-plated brass or stainless steel body.

Stainless steel internal parts.

Stainless steel springs.

360° degrees orientable solenoid.

Mountable in any position.



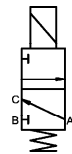
* Optional Manual Operator

ELECTRICAL INFORMATION

Light alloy explosion-proof "Ex-d" (EN60079-1) solenoid housing. Electrical and mechanical parts certified according to 2014/34/EU ("ATEX") directive, suitable to control the flow of inert and/or flammable gases or liquids. Internal and external anti-twist ground connecting screws. Inside terminal board suitable for cable up to 2,5 mm.

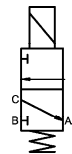
cable entry threaded:	1/2" Gk UNI-6125 (standard) 1/2" NPT, ISO M20x1.5 (available upon request)
protection class:	IP-67
Ex protection class:	Ex-d II 1G/2GDc (IIB o IIC)
Temperature class:	T6 or T5 (t.amb -20 ÷ +40 °C) T5 or T4 (t.amb -20 ÷ +60 °C) upon request. T5 or T4 (t.amb -60 ÷ +60 °C) upon request
Coil insulation class:	F (155°C) - H (180°C) upon request.
Winding wire class:	H (180°C).
Duty:	Continuous (S.I.) 100% ED
Power consumption:	Alternate current 11VA (inrush 28VA). Direct current 11W.
Tolleranza tensione:	± 10% (standard) others available upon request
Voltage tolerance:	± 10%
Insulation:	>1000 MOhm
Dielectrical Strength:	>2000 V/1'
Standard voltages	12, 24, 48, 110, 115, 125, 220, 240 Volt
DC=(2) o AC~(50/60Hz):	other voltages available upon request.

OPERATION



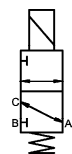
C03 - Normally closed.

In: B
Out: A
Vent: C
Coil de-energized: Input B closed from B to vent C
Coil energized: from A to B vent C closed



C08 - Normally open.

In: C
Out: A
Vent: B
Coil de-energized: from C to A. vent B closed.
Coil energized: from A to vent B input C closed



C13 - Universal

In: A, B or C
Out: A, B or C
Vent: A, B or C
Coil de-energized: port B closed. port A and C open.
Coil energized: port C closed port A and B open.

SPECIFICATIONS AND AVAILABLE OPTIONS

MODEL <i>Replace with: C08 for N.O. model C13 for Univ. model</i>	ORIFICE DIAMETER mm	PRESSURES IN BAR ⁽³⁾						Flow factor kv (liters/min.')	WEIGHT Kg.						
		MIN./MAX. OPERATING DIFFERENTIAL PRESSURE													
		MIN.	MAX. NORM. CLOSED (C03)		MAX. NORM. OPEN (C08)		MAX. UNIVERSAL (C13)								
a	b	c	d	e		AC~	DC=	AC~	DC=	AC~	DC=				
C 0 3	0 8						0	24	24	24	24			0,2	0,8
C 0 3	1 8						0	10	10	10	10	6	6	1,2	0,8
C 0 3	2 5						0	8	8	7	7	2	2	1,6	0,8
C 0 3	3 2						0	4	4	4	4	1,4	1,4	1,8	0,8

suffix (options available upon request): ⁽¹⁾ "LT" (low t.amb. certificate), ⁽²⁾ "V" spike suppressor⁽²⁾, ⁽³⁾ "AP" (High pressure version)-⁽⁴⁾ "V" spike suppressor.

a	Body material	b	Port size	c	Seals	d	Protection class	e	Optional feature
T	Brass.	C	1/4" GAS	0	Buna N	B	Ex-d IIB	X	Stable manual operator.
N	Nickel-plated brass.	D	1/4" NPT	1	FPM	C	Ex-d IIC		
I	Stainless steel.			6	EPDM				