

**GENERAL DESCRIPTION / APPLICATIONS**

Three way direct acting solenoid valve with spring return, redundant configuration circuit.

Suitable for gaseous media compatible with the (body/seals) material used, vacuum.

Not suitable for liquid media.

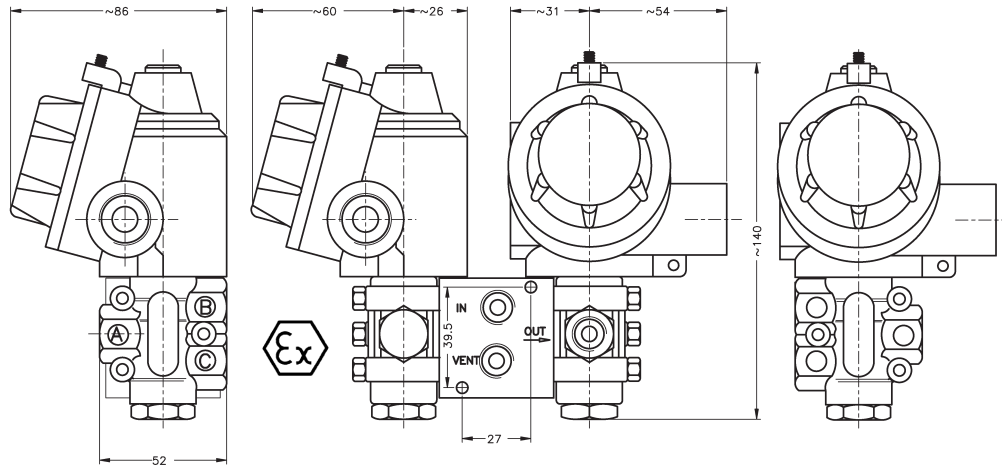
Forged brass, nickel-plated brass or stainless steel body.

Stainless steel internal parts.

Stainless steel springs.

360° degrees orientable solenoid.

Mountable in any position.



**ELECTRICAL INFORMATIONS**

Light alloy explosion-proof "Ex-d" (EN60079-1) solenoid housing. Electrical and mechanical parts certified according to 2014/34/UE ("ATEX") directive, suitable to control the flow of inert and/or flammable gases or liquids. Internal and external anti-twist ground connecting screws. Inside terminal board suitable for cable upto 2,5 mm<sup>2</sup>.

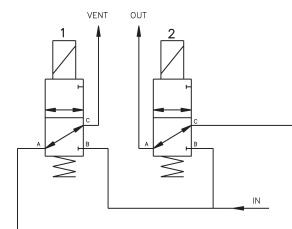
cable entry threaded: 1/2" Gk UNI-6125 (standard)  
1/2" NPT, ISO M20x1.5 (available upon request)

protection class: IP-67  
Ex protection class: Ex-d II 1G/2GDc (IIB o IIC)  
Temperature class: T6 or T5 (t.amb -20 ÷ +40 °C)  
T5 or T4 (t.amb -20 ÷ +60 °C) upon request.  
T5 or T4 (t.amb -60 ÷ +60 °C) upon request  
F (155°C) - H (180°C) upon request.

Coil insulation class: H (180°C).  
Winding wire class: H (180°C).  
Duty: Continuous (S.I.) 100% ED  
Power consumption<sub>(2)</sub>: Alternate current\* 11W.  
Direct current 11W.  
Tolleranza tensione: ± 10% (standard) others available upon request  
Voltage tolerance: ± 10%  
Insulation: >1000 MOhm  
Dielectrical Strength: >2000 V/1'  
Standard voltages 12, 24, 48, 110, 115, 125, 220, 240 Volt  
DC<sub>(3)</sub> o AC~(50/60Hz): other voltages available upon request.

\* Alternate current operation (Vac~) is performed using a direct current coil fitted with an internal rectifier (Nadi coil type B6/R).

**OPERATION**



C90 - Redundant configuration (Voting 1oo2)

(1)

In:	<b>N</b>
Out:	<b>OUT</b>
Vent:	<b>VENT</b>
Coil de-energized:	port IN closed. port OUT and VENT open.
Coil energized:	port VENT closed port IN and OUT open.

**SPECIFICATIONS AND DIMENSIONS**

MODEL	ORIFICE DIAMETER	BODY RATING	PRESSURES IN BAR			Flow factor kv (liters/min.')	WEIGHT Kg.
			MIN.	MAX. AC~	MAX. DC=		
C 9 0	6	10	0	10	10	9	3

suffix (options available upon request): <sup>(1)</sup> "LT" (low t.amb. certificate), <sup>(2)</sup> "LC" (low consumption), <sup>(3)</sup> "V" spike suppressor.

<b>a</b> Body material	<b>b</b> Port size	<b>c</b> Seals material	<b>d</b> Protection class	
<b>T</b> Brass. <b>I</b> Stainless steel.	<b>C</b> 1/4" GAS <b>D</b> 1/4" NPT	<b>0</b> Buna N <b>1</b> FPM <b>7</b> HNBR	<b>B</b> Ex-d IIB <b>C</b> Ex-d IIC	

Rev. W1 - ENG 2016

Le caratteristiche possono subire variazioni senza preavviso / Characteristics may change without notice.