

GENERAL DESCRIPTION / APPLICATIONS



Two way direct acting solenoid valve with spring return.

Suitable for gaseous and liquid media compatible with the (body/seals) material used, vacuum.

Suitable for low differential pressure (zero-differential).

Forged brass, nickel-plated brass or stainless steel body.

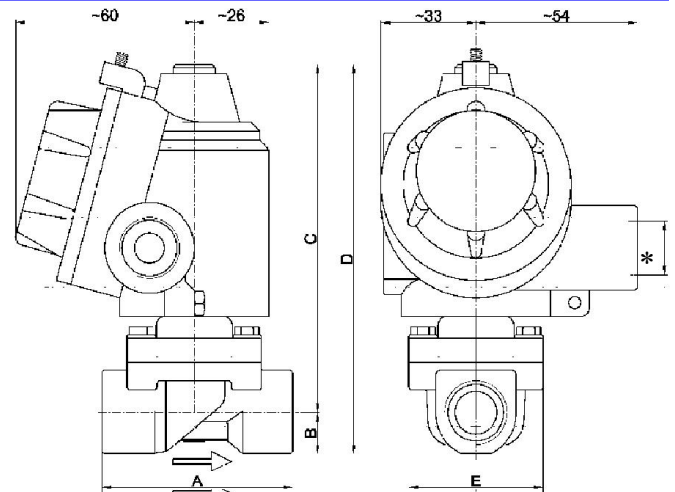
Stainless steel internal parts.

Stainless steel springs.

360° degrees orientable solenoid.

Mountable in any position.

DIMENSIONS (in mm)



** available sizes for electrical connection:
1/2" Gk UNI-6125 (standard)
1/2" NPT (upon request)
ISO M20x1,5 (upon request)

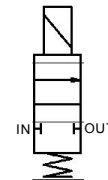
PORT SIZE	DIMENSIONS IN millimeters (mm)				
	A	B	C	D	E
3/8"	64	14	115	128	45
1/2"	64	14	115	128	45
3/4"	83	17	119	136	55

ELECTRICAL INFORMATION

Light alloy explosion-proof solenoid housing. Electrical and mechanical parts certified according to 2014/34/UE ("ATEX") directive, suitable to control the flow of flammable and/or inert gases or liquids. Internal and external anti-twist ground connecting screws. Inside terminal board suitable for cable up to 2,5 mm².

- cable entry threaded: 1/2" Gk UNI-6125 (standard)
1/2" NPT, ISO M20x1.5 (available upon request)
- protection class: IP-67
- Ex protection class: Ex-d II 1G/2Gdc (IIB o IIC)
- Temperature class: T6 or T5 (t.amb -20 ÷ +40 °C)
T5 or T4 (t.amb -20 ÷ +55 °C) upon request.
- Coil insulation class: F (155°C) - H (180°C) upon request.
- Winding wire class: H (180°C).
- Duty: Continuous (S.I.) 100% ED
- Power consumption: Alternate current 11VA (inrush 28VA).
Direct current 11W.
- Tolleranza tensione: ± 10% (standard) others available upon request
- Voltage tolerance: ± 10%
- Insulation: >1000 MOhm
- Dielectrical Strength: >2000 V/1'
- Standard voltages 12, 24, 48, 110, 115, 125, 220, 240 Volt
- DC= o AC~(50/60Hz): other voltages available upon request.

OPERATION



L36 - Normally closed

- In: N
- Out: OUT
- Coil de-energized: IN and OUT closed.
- Coil energized: from IN to OUT.

SPECIFICATIONS AND AVAILABLE OPTIONS

MODEL	ORIFICE DIAMETER mm	NOMINAL MAX.	MIN.	PRESSURE IN BAR DIFFERENTIAL			Flow factor kv (liters/min.')	WEIGHT Kg.
				MAX. AC~	MAX. DC=			
L 3 6 a 1 2 E _T	12,7	16	0	5	5	35	1	
L 3 6 a 1 2 F _G	12,7	16	0	5	5	40	1	
L 3 6 a 1 8 H _I	18	16	0	5	5	87	1,4	
L 3 6 a 2 5 L _M	25	16	0	3	3	140	2	

a	b	c	d	
Body material	Port size	Seals material	Protection class	
T Brass. N nickel-plated brass I Stainless steel * <i>* available only for 1/2" and 3/4" valve.</i>	E 3/8" GAS T 3/8" NPT F 1/2" GAS G 1/2" NPT H 3/4" GAS I 3/4" NPT L 1" GAS M 1" NPT	0 Buna N 1 FPM 3 RULON 6 EPDM	B Ex-d IIB C Ex-d IIC	

Le caratteristiche possono subire variazioni senza preavviso / Characteristics may change without notice.