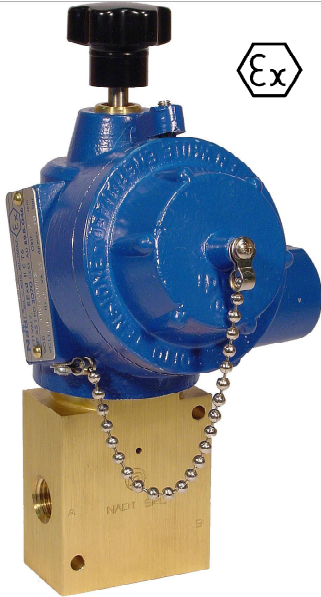


## GENERAL DESCRIPTION / APPLICATIONS / DIMENSIONS



Three way manual-reset solenoid valve.

Suitable for gaseous media.

Model for liquid media available upon request.

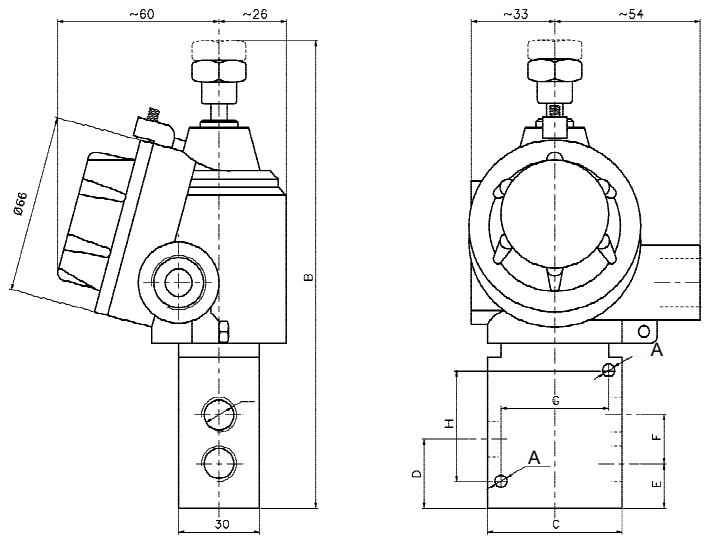
Stainless steel internal parts.  
Stainless steel spring.

Stainless steel internal parts.

Stainless steel springs.

360° degrees orientable solenoid.

Mountable in any position.



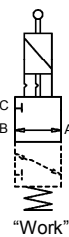
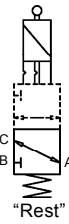
## ELECTRICAL INFORMATIONS

Light alloy explosion-proof "Ex-d" (EN60079-1) solenoid housing. Electrical and mechanical parts certified according to 2014/34/EU ("ATEX") directive, suitable to control the flow of inert and/or flammable gases or liquids. Internal and external anti-twist ground connecting screws. Inside terminal board suitable for cable up to 2,5 mm<sup>2</sup>.

cable entry threaded:	1/2" Gk UNI-6125 (standard) 1/2" NPT, ISO M20x1.5 (available upon request)
protection class:	IP-67
Ex protection class:	Ex-d II 1G/2GDc (IIB o IIC)
Temperature class:	T6 or T5 (t.amb -20 ÷ +40 °C) T5 or T4 (t.amb -20 ÷ +60 °C) upon request. T5 or T4 (t.amb -60 ÷ +60 °C) upon request <sup>(1)</sup> F (155°C) - H (180°C) upon request.
Coil insulation class:	H (180°C).
Winding wire class:	
Duty:	Continuous (S.I.) 100% ED
Power consumption <sub>(2)</sub> :	Alternate current 11VA (inrush 28VA). Direct current 11W.
Tolleranza tensione:	± 10% (standard) others available upon request
Voltage tolerance:	± 10%
Insulation:	>1000 MOhm
Dielectrical Strength:	>2000 V/1'
Standard voltages	12, 24, 48, 110, 115, 125, 220, 240 Volt
DC <sub>(3)</sub> o AC~(50/60Hz):	other voltages available upon request.

\* Alternate current operation (Vac~) is performed using a direct current coil fitted with an internal rectifier (Nadi coil type B6/R)

## OPERATION



Three way manual reset solenoid valves are normally used to realize safety pilot devices for single-acting actuators.

Manual reset solenoid valves can only change from "Rest" to "Work" condition operating the latching device manually.

### "E" type operation

Spool of the valve is manually latched to the "Work" condition with the coil de-energized.  
Energizing the coil the spool will be unlatched and the valve will come back to the "Rest" position.

### "D" type operation

Spool of the valve is manually latched to the "Work" condition with the coil energized.  
De-energizing the coil the spool will be unlatched and the valve will come back to the "Rest" position.

## SPECIFICATIONS AND AVAILABLE OPTIONS

MODEL	ORIFICE DIAMETER mm	PRESSURE IN BAR			FUNZ.	Flow factor kv (liters/min.')	WEIGHT Kg.	DIMENSIONS (millimeters)							
		NOMINAL MAX.	DIFFERENTIAL					A	B	C	D	E	F	G	H
			MIN.	MAX.											
F 0 3	a 7 0 C <sub>D</sub>	16	0	14	D	12	1.2	4,5	178	50	25,5	15,5	20	40	41
F 5 3	T <sub>N</sub> 7 0 C <sub>D</sub>	16	0	14	E	12	1.2	4,5	178	50	25,5	15,5	20	40	41
F 1 3	T <sub>N</sub> 7 0 E <sub>T</sub>	16	0	14	D	30	1.4	6,5	192	60	33,5	18,5	30	48	57
F 6 3	T <sub>N</sub> 7 0 E <sub>T</sub>	16	0	14	E	30	1.5	6,5	192	60	33,5	18,5	30	48	57
F 1 3	T <sub>N</sub> 1 1 F <sub>G</sub>	16	0	14	D	30	1.8	6,5	192	60	33,5	18,5	30	48	57
E 6 3	T <sub>N</sub> 1 1 F <sub>G</sub>	16	0	14	E	30	2.2	6,5	192	60	33,5	18,5	30	48	57

suffix (options available upon request): <sup>(1)</sup> "LT" (low t.amb. certificate), <sup>(2)</sup> "LC" (low consumption), <sup>(3)</sup> "V" spike suppressor.

<b>a</b> Body material	<b>b</b> Port size	<b>c</b> Seals material	<b>d</b> Protection class
T Brass. N Nickel-plated brass. I Stainless steel.	C 1/4" GAS D 1/4" NPT E 3/8" GAS T 3/8" NPT F 1/2" GAS G 1/2" NPT	0 Buna N 1 FPM 7 HNBR	B Ex-d IIB C Ex-d IIC

Le caratteristiche possono subire variazioni senza preavviso / Characteristics may change without notice.