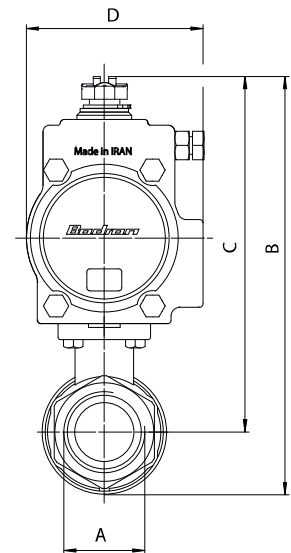
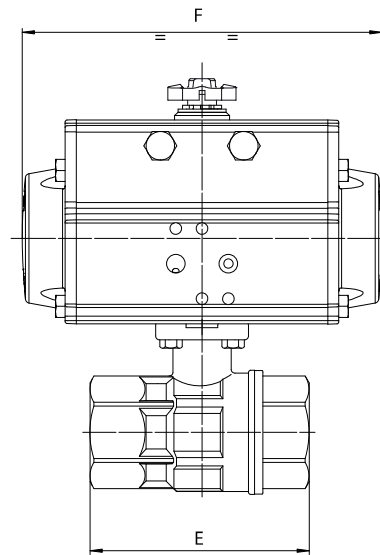


2-way ball valve [art. 703000], stainless steel AISI 316, threaded F/F, antistatic device with pneumatic actuator. Not suitable for use with solvents.



Art. 8P000300

Valve With Double Acting Actuator

PN	64	64	64	64	64	64
DN - A	1/2"	3/4"	1"	1"1/4	1"1/2	2"
B	115	121	136	146	203	223
C	98	100	110	113	165	174
D	45	45	45	45	71	71
E	67	78	90	100	112	135
F	110	110	110	110	141	141
ACT.	DA 32	DA 32	DA 32	DA 32	DA 52	DA 52
RI	4015	4015	4015	4015	4016	4016

Art. 8P000400

Valve With Spring Return Actuator

PN	64	64	64	64	64	64
DN - A	1/2"	3/4"	1"	1"1/4	1"1/2	2"
B	152	157	172	182	215	235
C	134	136	146	150	177	186
D	71	71	71	71	81	81
E	67	78	90	100	112	135
F	141	141	141	141	164	164
ACT.	SR 52	SR 52	SR 52	SR 52	SR 63	SR 63
RI	4017	4017	4017	4017	4018	4018

Actuator air supply pressure minimum 6 Bar