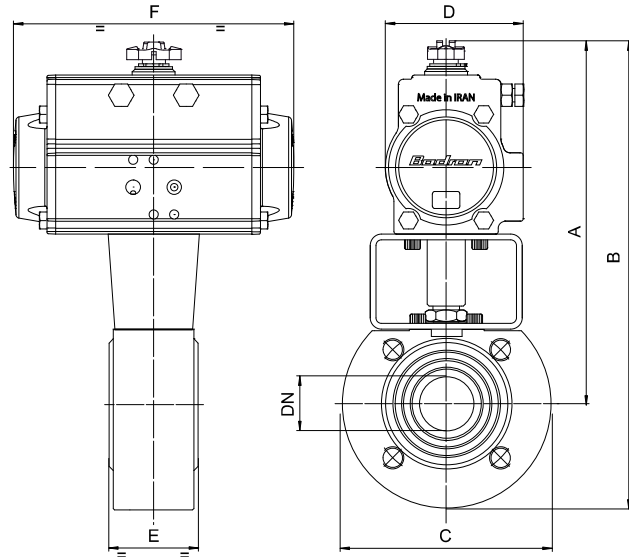


2 way "WAFER" ball valve [art. 722000], flanged, carbon steel ASTM A105, with ball and stem in stainless steel AISI 304, with pneumatic actuator.



### Art. 8P003500

Valve With Double Acting Actuator

DN	15	20	25	32	40	50	65	80	100	125	150	200
PN	16	16	16	16	16	16	16	16	16	16	16	16
A	147	188	193	200	227	253	282	292	341	398	435	ART. 8P011900
B	192	238	248	266	297	328	370	387	451	523	585	
C	90	100	110	130	140	150	175	190	220	250	300	
D	45	71	71	71	81	95	106	106	123	137	148	
E	35	40	46	54	64	82	103	122	152	196	232	
F	110	141	141	141	164	210	241	241	275	333	372	
ACT.	DA 32	DA 52	DA 52	DA 52	DA 63	DA 75	DA 85	DA 85	DA 100	DA 115	DA 125	
RI	3012	3013	3001	3008	3002	3009	3003	3003	3004	3005	3006	

### Art. 8P003700

Valve With Spring Return Actuator

DN	15	20	25	32	40	50	65	80	100	125	150	200
PN	16	16	16	16	16	16	16	16	16	16	16	16
A	183	200	205	212	259	281	349	372	387	432	481	ART. 8P012000
B	288	250	260	277	329	356	437	466	497	557	631	
C	90	100	110	130	140	150	175	190	220	250	300	
D	71	81	81	81	106	123	137	148	148	164	186	
E	35	40	46	54	64	82	103	122	152	196	232	
F	141	164	164	164	241	275	333	372	372	435	500	
ACT.	SR 52	SR 63	SR 63	SR 63	SR 85	SR 100	SR 115	SR 125	SR 125	SR 140	SR 160	
RI	3780	3014	3007	3048	3009	3009	3010	3010	3005	3037	3039	

Actuator air supply pressure minimum 6 Bar