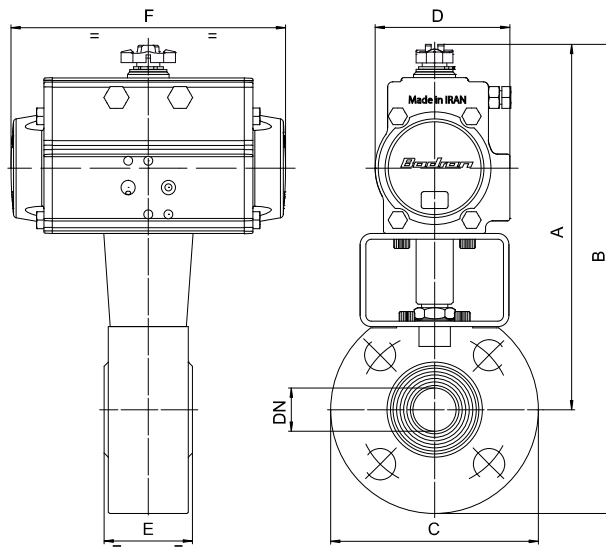


2 way "WAFER" ball valve [art. 720232], flanged ANSI 300, carbon steel ASTM A105 with ball and stem in stainless steel AISI 304, with pneumatic actuator.



Art. 8P004100

Valve With Double Acting Actuator

DN	15	20	25	32	40	50	65	80	100	150
PN	50	50	50	50	50	50	50	50	50	50
A	187	206	212	212	249	277	325	333	386	481
B	235	266	272	277	324	359	420	438	513	641
C	95	120	120	130	150	165	190	210	254	320
D	71	81	81	81	95	106	123	123	137	186
E	35	40	46	54	64	82	103	122	152	232
F	141	164	164	164	210	241	275	275	333	500
ACT.	DA 52	DA 63	DA 63	DA 63	DA 75	DA 85	DA 100	DA 100	DA 115	DA 160
RI	3805	3806	3807	3808	4244	3809	3810	3810	3811	3039

Art. 8P004200

Valve With Spring Return Actuator

DN	15	20	25	32	40	50	65	80	100	150
PN	50	50	50	50	50	50	50	50	50	50
A	199	238	244	244	276	324	371	379	445	699
B	247	298	304	309	351	406	466	484	572	859
C	95	120	120	130	150	165	190	210	254	320
D	81	106	106	106	123	137	148	148	186	290
E	35	40	46	54	64	82	103	122	152	232
F	164	241	241	241	275	333	372	372	500	672
ACT.	SR 63	SR 85	SR 85	SR 85	SR 100	SR 115	SR 125	SR 125	SR 160	SR 270
RI	3812	3813	3814	3815	4244	3816	3817	3817	3818	3819

Actuator air supply pressure minimum 6 Bar