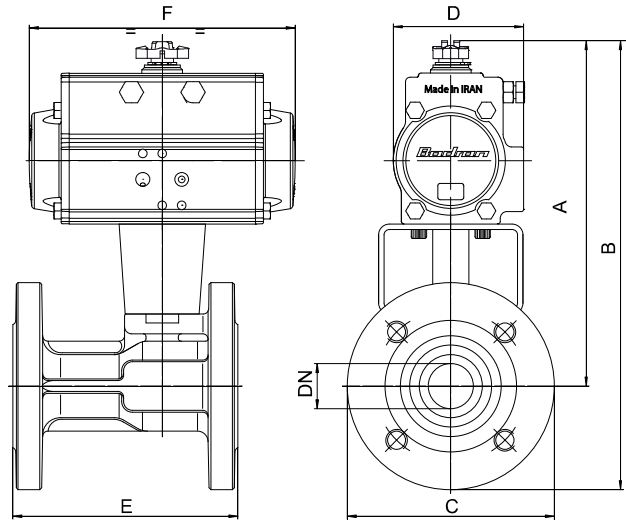


2 way flanged PN16 ball valve [art. 730008 from DN25 to DN65 - art. 730000 from DN80 to DN100], cast iron, with chrome plated ball, full bore, face to face to EN558 basic series 14 (DN200 basic series 27) with pneumatic actuator.



Art. 8P004500

Valve With Double Acting Actuator

DN	25	32	40	50	65	80	100	125	150
PN	16	16	16	16	16	16	16	16	16
A	191	198	227	252	280	291	343	ART. 8P004300	ART. 8P004300
B	249	268	302	335	373	391	453		
C	115	140	150	165	185	200	220		
D	71	71	81	95	106	106	123		
E	125	130	140	150	170	180	190		
F	141	141	164	210	241	241	275		
ACT.	DA 52	DA 52	DA 63	DA 75	DA 85	DA 85	DA 100		
RI	3001	3001	3002	3009	3003	3003	3004		

Art. 8P004600

Valve With Spring Return Actuator

DN	25	32	40	50	65	80	100	125	150
PN	16	16	16	16	16	16	16	16	16
A	203	209	259	279	348	371	389	ART. 8P004400	ART. 8P004400
B	261	279	334	362	441	471	499		
C	115	140	150	165	185	200	220		
D	81	81	106	123	137	148	148		
E	125	130	140	150	170	180	190		
F	164	164	241	275	333	372	372		
ACT.	SR 63	SR 63	SR 85	SR 100	SR 115	SR 125	SR 125		
RI	3007	3007	3009	3009	3010	3010	3005		

Actuator air supply pressure minimum 6 Bar