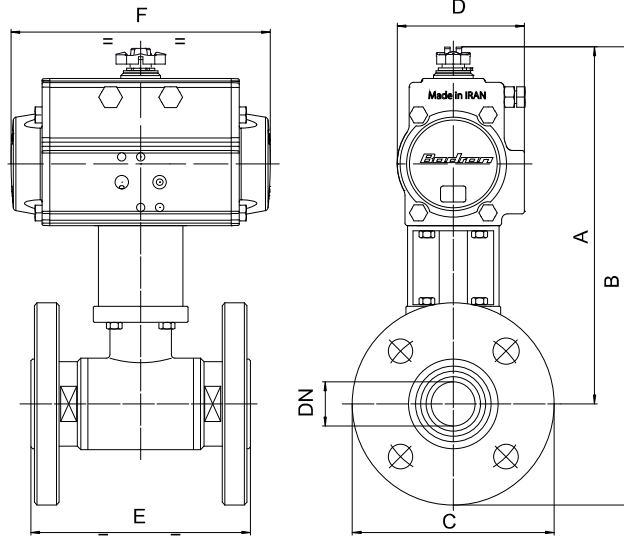


2 way flanged ball valve from **Ingot**, polished, stainless steel AISI 316, **FULL** bore, with pneumatic actuator.



Art. 8P005100

Valve With Double Acting Actuator

DN	10	15	20	25	32	40	50	65	80	100
PN	40	40	40	40	40	25	25	16	16	16
A	181	183	187	203	220	189	197	239	251	265
B	226	231	240	261	290	264	280	332	351	375
C	90	95	105	115	140	150	165	185	200	220
D	71	71	71	71	81	81	81	106	106	106
E	110	115	120	125	130	140	150	170	180	190
F	141	141	141	141	164	164	164	241	241	241
ACT.	DA 52	DA 52	DA 52	DA 52	DA 63	DA 63	DA 63	DA 85	DA 85	DA 85

Art. 8P005300

Valve With Spring Return Actuator

DN	10	15	20	25	32	40	50	65	80	100
PN	40	40	40	40	40	25	25	16	16	16
A	181	205	208	247	252	221	229	253	311	325
B	226	253	261	305	322	296	312	346	411	435
C	90	95	105	115	140	150	165	185	200	220
D	71	81	81	106	106	106	106	123	148	148
E	110	115	120	125	130	140	150	170	180	190
F	141	164	164	241	241	241	241	275	372	372
ACT.	SR52	SR 63	SR 63	SR 85	SR 85	SR 85	SR 85	SR 100	SR 125	SR 125

Actuator air supply pressure minimum 6 Bar