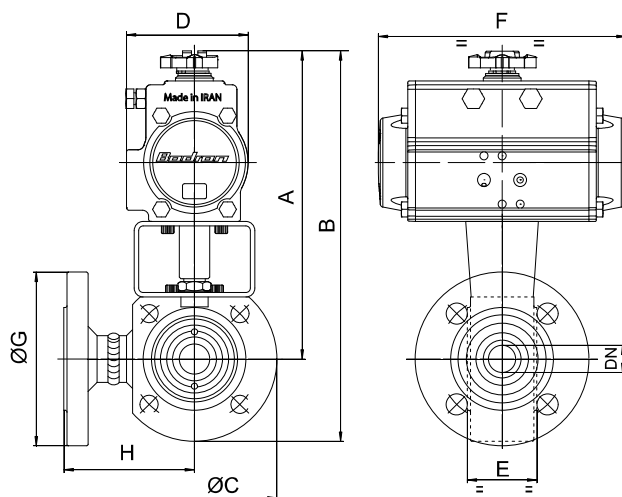


3 way "WAFER" ball valve (diverting), [art. 776000 (L) - 776001 (T)], "L" or "T" port, two seats, flanged PN16, in carbon steel ASTM A105, **REDUCED** bore, with pneumatic actuator.



Art. 8P005500 (L) - 8P011300 (T)

Valve With Double Acting Actuator

DN	15	20	25	32	40	50	65	80	100	125	150
PN	16	16	16	16	16	16	16	16	16	16	16
A	147	189	193	200	227	251	282	290	340	363	427
B	191	239	248	265	297	331	372	390	450	488	580
Ø C	89	99	109	130	140	160	180	200	220	250	306
D	45	71	71	71	81	95	106	106	123	123	148
E	40	40	46	58	71	82	106	122	152	196	242
F	110	141	141	141	164	210	241	241	275	275	372
Ø G	95	105	115	140	150	165	185	200	220	250	285
H	76	82	86	100	105	115	125	150	159	190	210
ACT.	DA 32	DA 52	DA 52	DA 52	DA 63	DA 75	DA 85	DA 85	DA 100	DA 100	DA 125
RI	3012	3013	3001	3008	3002	3009	3003	3003	3004	4558	3042

Art. 8P005600 (L) - 8P011400 (T)

Valve With Spring Return Actuator

DN	15	20	25	40	50	65	80	100	125	150	
PN	16	16	16	16	16	16	16	16	16	16	
A	183	199	204	212	259	278	349	370	387	409	449
B	228	249	259	277	329	358	439	470	497	534	602
Ø C	89	99	109	130	140	160	180	200	220	250	306
D	71	81	81	81	106	123	137	148	148	148	164
E	40	40	46	58	71	82	106	122	152	196	242
F	141	164	164	164	241	275	333	372	372	372	435
Ø G	95	105	115	140	150	165	185	200	220	250	285
H	76	82	86	100	105	115	125	150	159	190	210
ACT.	SR 52	SR 63	SR 63	SR 63	SR 85	SR 100	SR 115	SR 125	SR 125	SR 125	SR 140
RI	3780	3014	3007	3048	3009	3009	3010	3010	3005	3036	4562