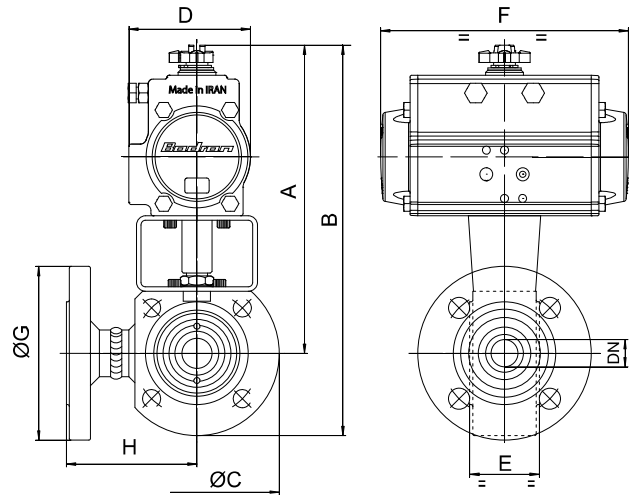


3 way "WAFER" ball valve (diverting), [art. 776007 (L) - 776010 (T)], "L" or "T" port, two seats, flanged PN16, in stainless steel AISI 316, **REDUCED** bore, with pneumatic actuator.



**Art. 8P005700 (L) 8P011500 (T)**

Valve With Double Acting Actuator

DN	15	20	25	32	40	50	65	80	100
PN	16	16	16	16	16	16	16	16	16
A	147	189	193	200	227	251	282	290	340
B	191	239	248	265	297	331	372	390	450
Ø C	89	99	109	130	140	160	180	200	220
D	45	71	71	71	81	95	106	106	123
E	40	40	46	58	71	82	106	122	152
F	110	141	141	141	164	210	241	241	275
Ø G	95	105	115	140	150	165	185	200	220
H	76	82	86	100	105	115	125	150	159
ACT.	DA 32	DA 52	DA 52	DA 52	DA 63	DA 75	DA 85	DA 85	DA 100
RI	3012	3013	3001	3008	3002	3009	3003	3003	3004

**Art. 8P005800 (L) 8P011600 (T)**

Valve With Spring Return Actuator

DN	15	20	25	32	40	50	65	80	100
PN	16	16	16	16	16	16	16	16	16
A	183	199	204	212	259	278	349	370	387
B	228	249	259	277	329	358	439	470	497
Ø C	89	99	109	130	140	160	180	200	220
D	71	81	81	81	106	123	137	148	148
E	40	40	46	58	71	82	106	122	152
F	141	164	164	164	241	275	333	372	372
Ø G	95	105	115	140	150	165	185	200	220
H	76	82	86	100	105	115	125	150	159
ACT.	SR 52	SR 63	SR 63	SR 63	SR 85	SR 100	SR 115	SR 125	SR 125
RI	3780	3014	3007	3048	3009	3009	3010	3010	3005

Actuator air supply pressure minimum 6 Bar