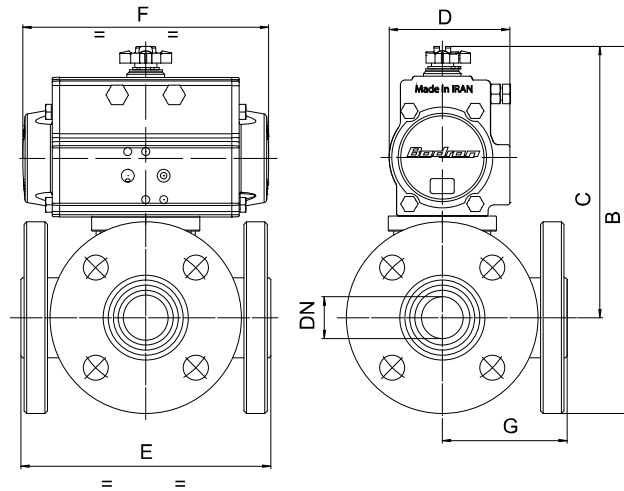


3 way flanged polished ball valve from **ingot**, 4 seals, stainless steel AISI 304, **FULL** bore, "T" or "L" port, with pneumatic actuator.



**Art. 8P007300 (T) 8P007400 (L)**

Valve With Double Acting Actuator

DN	10	15	20	25	32	40	50	65	80	100
PN	40	40	40	40	40	40	25	25	16	16
B	193	199	223	232	265	295	320	340	374	399
C	148	151	170	174	195	220	237	247	274	289
D	71	71	81	81	81	95	106	106	123	123
E	120	130	140	150	180	200	220	240	260	300
F	141	141	164	164	164	210	241	241	275	275
G	60	65	70	75	90	100	110	120	130	150
ACT.	DA 52	DA 52	DA 63	DA 63	DA 63	DA 75	DA 85	DA 85	DA 100	DA 100

**Art. 8P007700 (T) 8P007800 (L)**

Valve With Spring Return Actuator

DN	10	15	20	25	32	40	50	65	80	100
PN	40	40	40	40	40	40	25	25	16	16
B	255	260	255	264	297	322	333	387	421	468
C	210	212	202	206	227	247	250	294	321	358
D	81	81	106	106	106	123	123	137	148	164
E	120	130	140	150	180	200	220	240	260	300
F	164	164	241	241	241	275	275	333	372	435
G	60	65	70	75	90	100	110	120	130	150
ACT.	SR 63	SR 63	SR 85	SR 85	SR 85	SR 100	SR 100	SR 115	SR 125	SR 140

Actuator air supply pressure minimum 6 Bar