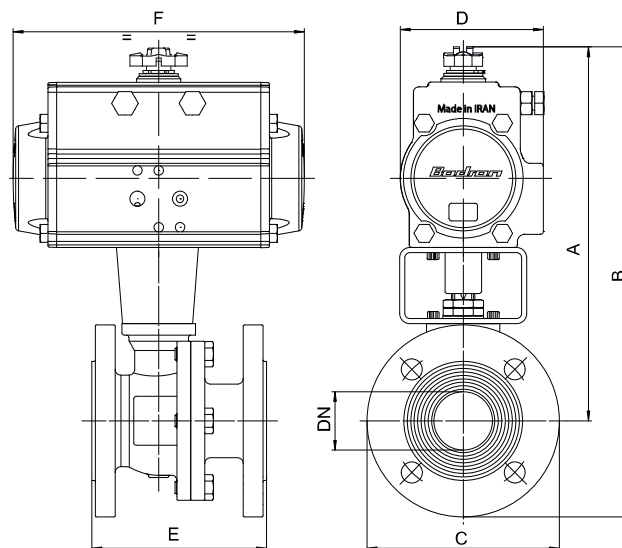
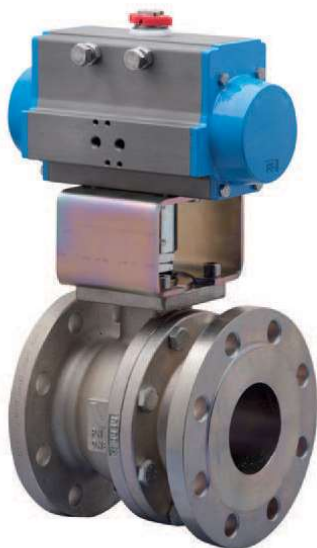


"SPLIT BODY" type flanged PN16 ball valve [art. 760001], carbon steel WCB, full bore, fire safe, antistatic device, face to face to EN558 basic series 27, classified ATEX Ex II 2 G/D c T3, with pneumatic actuator classified ATEX Ex II 2 G/D c T6.



Art. 8P011900

Valve With Double Acting Actuator

DN	15	20	25	32	40	50	65	80	100	125	150	200	250*	300*
PN	40	40	40	40	40	40	16	16	16	16	16	16	16	16
A	148	189	207	210	250	275	299	333	360	382	462	527	747	778
B	195	242	265	280	325	357	392	433	470	507	605	697	950	1008
C	95	105	115	140	150	165	185	200	220	250	285	340	405	460
D	45	71	71	71	81	95	106	106	123	123	148	164	249	249
E	115	120	125	130	140	150	170	180	190	325	350	400	450	500
F	110	141	141	141	164	210	241	241	275	275	372	435	690	690
ACT.	DA 32	DA 52	DA 52	DA 52	DA 63	DA 75	DA 85	DA 85	DA 100	DA 100	DA 125	DA140	DA 230	DA 230
RI	3518	3519	3520	3520	3521	3522	3522	3523	3552	3552	3553	3554	4577	4577

* TRUNION $\Delta p=10$ bar

Art. 8P012000

Valve With Spring Return Actuator

DN	15	20	25	32	40	50	65	80	100	125	150	200	250*	300*
PN	40	40	40	40	40	40	16	16	16	16	16	16	16	16
A	184	200	219	222	282	302	346	393	407	452	508	551	947	978
B	232	253	277	292	357	385	439	493	517	577	651	721	1150	1208
C	95	105	115	140	150	165	185	200	220	250	285	340	405	460
D	71	81	81	81	106	123	137	148	148	164	186	186	402	402
E	115	120	125	130	140	150	170	180	190	325	350	400	450	500
F	141	164	164	164	241	275	333	372	372	435	500	500	881	881
ACT.	SR 52	SR 63	SR 63	SR 63	SR 85	SR 100	SR 115	SR 125	SR 125	SR 140	SR 160	SR 160	SR 330	SR 330
RI	3519	3829	3525	3525	3526	3522	3527	3528	3528	3997	3554	3554	4578	4578

* TRUNION $\Delta p=10$ bar

Actuator air supply pressure minimum 6 Bar