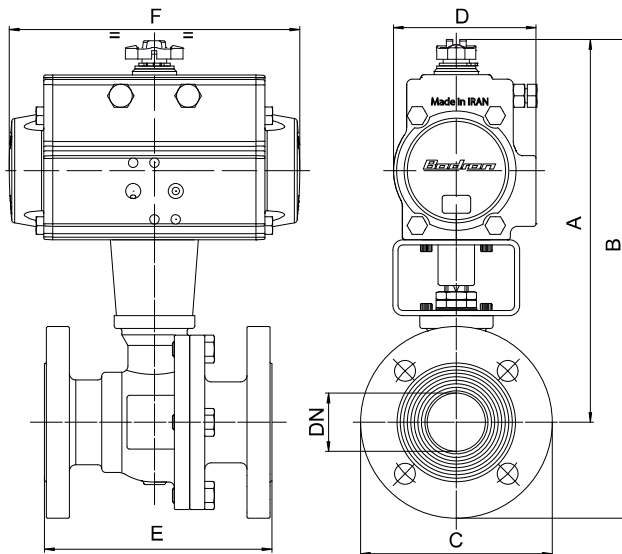


“SPLIT BODY” type flanged ANSI150 ball valve [ Art.760005], stainless steel AISI 316-CF8M, full bore, fire safe, antistatic device, face to face to ANSI B16.10, classified ATEX Ex II 2 G/D c T3, with pneumatic actuator classified ATEX Ex II 2 G/D c T6.



### Art. 8P012100

Valve With Double Acting Actuator

DN	15	20	25	40	50	80	100	150	200	250*	300*
PN	20	20	20	20	20	20	20	20	20	10	10
A	148	189	207	249	275	333	360	462	527	747	778
B	193	239	262	314	350	428	475	602	700	950	1021
C	90	100	110	130	150	190	230	280	345	405	485
D	45	71	71	81	95	106	123	148	164	249	249
E	108	117	127	165	178	203	229	394	457	533	610
F	110	141	141	164	210	241	275	372	435	690	690
ACT.	DA 32	DA 52	DA 52	DA 63	DA 75	DA 85	DA 100	DA 125	DA 140	DA 230	DA 230
RI	3518	3519	3520	3521	3522	3523	3552	3553	3554	4577	4577

\* TRUNION  $\Delta p=10$  bar

### Art. 8P012200

Valve With Spring Return Actuator

DN	15	20	25	40	50	80	100	150	200	250*	300*
PN	20	20	20	20	20	20	20	20	20	10	10
A	185	200	218	281	302	393	407	508	551	947	978
B	230	250	273	346	377	488	522	648	724	1150	1221
C	90	100	110	130	150	190	230	280	345	405	485
D	71	81	81	106	123	148	148	186	186	402	402
E	108	117	127	165	178	203	229	394	457	533	610
F	141	164	164	241	275	372	372	500	500	881	881
ACT.	SR 52	SR 63	SR 63	SR 85	SR 100	SR 125	SR 125	SR 160	SR 160	SR 330	SR 330
RI	3519	3829	3525	3526	3522	3528	3528	3554	3554	4578	4578

\* TRUNION  $\Delta p=10$  bar

Actuator air supply pressure minimum 6 Bar