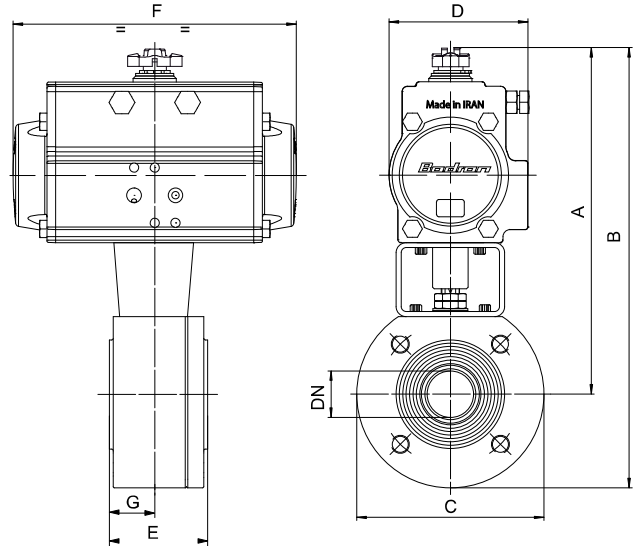


“WAFER SPLIT” [art. 764000], full bore flanged ball valve, carbon steel ASTM A105, fire safe, antistatic device, with pneumatic actuator.



Art. 8P012700

Valve With Double Acting Actuator

DN	15	20	25	32	40	50	65	80	100
PN	40	40	40	40	40	40	16	16	16
A	148	190	199	205	235	262	289	295	341
B	193	238	252	270	305	337	371	380	451
C	90	95	110	130	140	150	180	190	220
D	45	71	71	71	81	95	106	106	123
E	53	53	57	65	79	84	103	122	155
F	110	141	141	141	164	210	241	241	275
G	22	22	24	30	37,5	42	50,5	61	77,5
ACT.	DA 32	DA 52	DA 52	DA 52	DA 63	DA 75	DA 85	DA 85	DA 100
RI	3518	3519	3542	4271	3521	4117	3545	3546	3552

Art. 8P012800

Valve With Spring Return Actuator

DN	15	20	25	32	40	50	65	80	100
PN	40	40	40	40	40	40	16	16	16
A	184	201	210	216	267	289	336	355	387
B	229	249	265	281	337	364	426	450	497
C	90	95	110	130	140	150	180	190	220
D	71	81	81	81	106	123	137	148	148
E	53	53	57	65	79	84	103	122	155
F	141	164	164	164	241	275	333	372	372
G	22	22	24	30	37,5	42	50,5	61	77,5
ACT.	SR 52	SR 63	SR 63	SR 63	SR 85	SR 100	SR 115	SR 125	SR 125
RI	3519	3829	3547	4272	3526	4117	3550	3551	3528

Actuator air supply pressure minimum 6 Bar