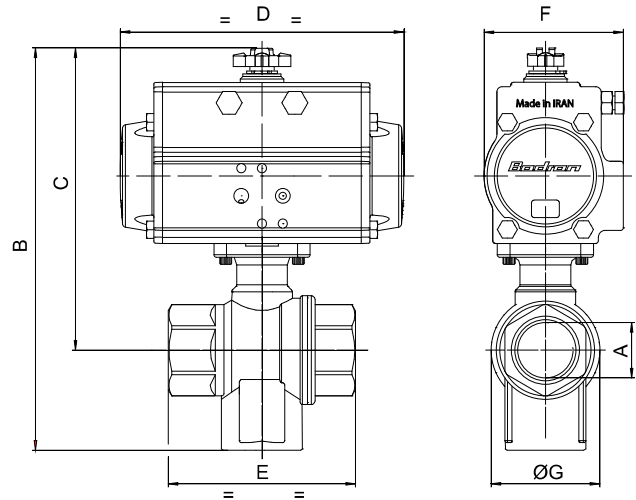


Diverter brass CW 617N ball valve [ art. 3110 (T)], full bore, female threaded, "T" port, with pneumatic actuator.



**Art. 8P014800 (T)**

Valve With Double Acting Actuator

PN	25	25	25	16	16	10	10	10
DN - A	1/4"	3/8"	1/2"	3/4"	1"	1 1/4"	1 1/2"	2"
B	120	120	130	147	157	206	225	253
C	94	94	96	107	110	151	163	180
D	110	110	110	110	110	141	141	164
E	52	52	64	74	89	100	110	130
F	45	45	45	45	45	71	71	81
G	28	28	35	43	53	63	77	93
ACT.	DA 32	DA 32	DA 32	DA 32	DA 32	DA 52	DA 52	DA 63
RI	4015	4015	4015	4015	4015	4017	4016	4018

**Art. 8P015000 (T)**

Valve With Spring Return Actuator

PN	25	25	25	16	16	10	10	10
DN - A	1/4"	3/8"	1/2"	3/4"	1"	1 1/4"	1 1/2"	2"
B	156	156	166	184	194	205	254	285
C	130	130	133	144	147	151	193	212
D	141	141	141	141	141	141	210	241
E	52	52	64	74	89	100	110	130
F	71	71	71	71	71	71	95	106
G	28	28	35	43	53	63	77	93
ACT.	SR 52	SR 52	SR 52	SR 52	SR 52	SR 52	SR 75	SR 85
RI	4017	4017	4017	4017	4017	4017	4030	4030

Actuator air supply pressure minimum 6 Bar