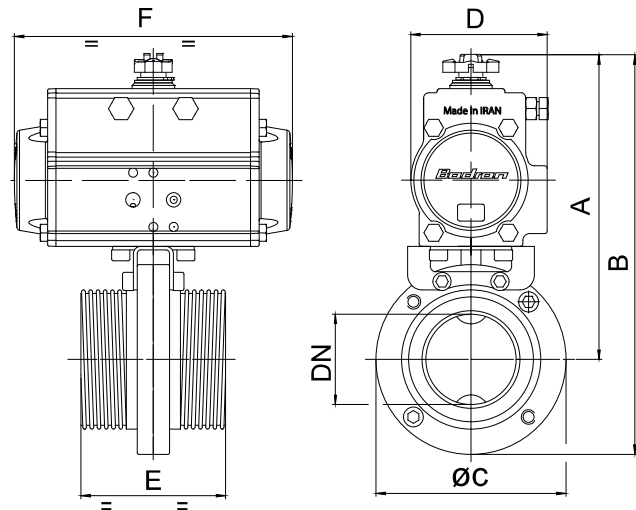
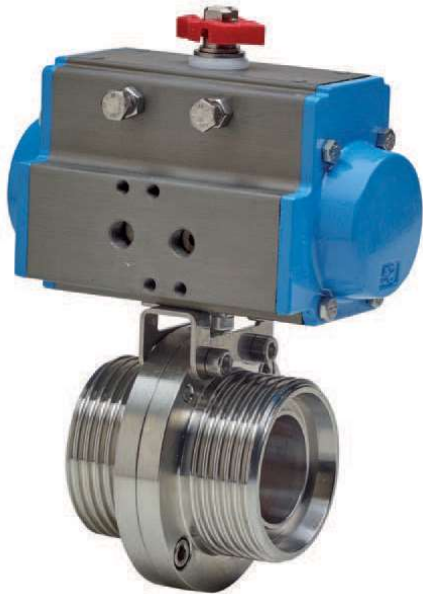


Stainless steel AISI 304L butterfly valve for food industry, F/F DIN 11851 connections, with pneumatic actuator.



Art. 8P015700

Valve With Double Acting Actuator

DN	25	32	40	50	65	80	100
PN	6	6	6	6	6	6	6
A	113	155	157	175	202	224	236
B	153	197	203	227	265	289	314
ØC	79	85	92	105	125	137	157
D	45	71	71	81	95	106	106
E	68	76	76	80	82	84	88
F	110	141	141	164	210	241	241
ACT.	DA 32	DA 52	DA 52	DA 63	DA 75	DA 85	DA 85

Art. 8P015800

Valve With Spring Return Actuator

DN	25	32	40	50	65	80	100
PN	6	6	6	6	6	6	6
A	150	155	169	193	216	224	249
B	189	197	215	245	279	292	327
ØC	79	85	92	105	125	137	157
D	71	71	81	95	106	106	123
E	68	76	76	80	82	84	88
F	141	141	164	210	241	241	275
ACT.	SR 52	SR 52	SR 63	SR 75	SR 85	SR 85	SR 100

Actuator air supply pressure minimum 6 Bar