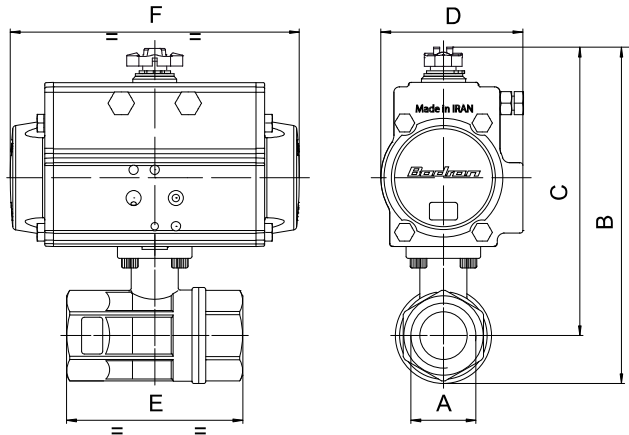


2 way brass with chrome plated ball [art. 2530], threaded F/F, stainless steel stem and ball certified ATEX Ex II 2 G/D c T4, with pneumatic actuator. **Suitable for use with solvents.**



Art. 8P015900

Valve With Double Acting Actuator

PN	40	40	40	40	40	40	40	40
DN - A	1/4"	3/8"	1/2"	3/4"	1"	1" 1/4	1" 1/2	2"
B	115	115	115	120	135	144	203	221
C	98	98	98	100	111	114	166	175
D	45	45	45	45	45	45	71	71
E	67	67	67	76	90	102	114	138
F	110	110	110	110	110	110	141	141
ACT.	DA 32	DA 32	DA 32	DA 32	DA 32	DA 32	DA 52	DA 52
RI	4015	4015	4015	4015	4015	4015	4016	4016

Art. 8P016000

Valve With Spring Return Actuator

PN	40	40	40	40	40	40	40	40
DN - A	1/4"	3/8"	1/2"	3/4"	1"	1" 1/4	1" 1/2	2"
B	151	151	151	156	172	180	214	232
C	134	134	134	136	147	151	177	186
D	71	71	71	71	71	71	81	81
E	67	67	67	76	90	102	114	138
F	141	141	141	141	141	141	164	164
ACT.	SR 52	SR 52	SR 52	SR 52	SR 52	SR 52	SR 63	SR 63
RI	4017	4017	4017	4017	4017	4017	4018	4018