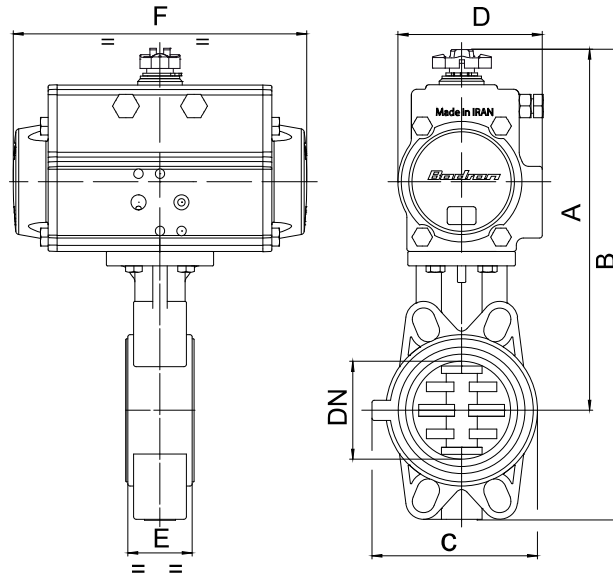


PVC butterfly valve with pneumatic actuator.



**Art. 8P016500**

Valve With Double Acting Actuator

DN	40	50	65	80	100	125	150	200
PN	16	16	10	10	10	10	10	10
A	208	214	233	247	278	313	339	420
B	268	284	313	337	383	434	471	581
C	132	147	165	130	150	185	210	325
D	71	71	81	81	95	106	123	137
E	33	43	46	49	56	64	70	71
F	141	141	164	164	210	241	275	333
ACT.	DA 52	DA 52	DA 63	DA 63	DA 75	DA 85	DA 100	DA 115

**Art. 8P016600**

Valve With Spring Return Actuator

DN	40	50	65	80	100	125	150	200
PN	16	16	10	10	10	10	10	10
A	237	243	265	279	340	360	385	454
B	297	313	345	369	445	481	517	615
C	132	147	165	130	150	185	210	325
D	95	95	106	106	137	137	148	164
E	33	43	46	49	56	64	70	71
F	210	210	241	241	333	333	372	435
ACT.	SR 75	SR 75	SR 85	SR 85	SR 115	SR 115	SR 125	SR 140

Actuator air supply pressure minimum 6 Bar