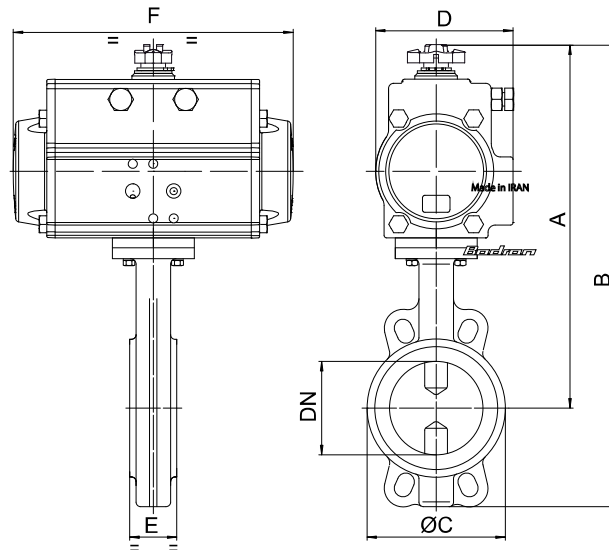


Butterfly valve “. WAFER” type PN16, G250 cast iron + epoxy painting, AISI 316 disc, VITON seat max operating temperature 150°C, with pneumatic VITON seats actuator



Art. 8P020500 VITON

Valve With Double Acting Actuator

DN	50	65	80	100	125	150	200	250	300
PN	16	16	16	16	16	16	16	16	16
A	255	267	281	315	341	355	434	482	541
B	326	345	370	417	464	493	602	689	784
Ø C	100	120	127	161	190	215	268	325	375
D	71	71	81	95	106	106	137	148	164
E	43	46	46	52	56	56	60	68	78
F	141	141	164	210	241	241	333	372	435
ACT.	DA 52	DA 52	DA 63	DA 75	DA 85	DA 85	DA115	DA125	DA140
RI	3836	3836	3838	3839	3840	3841	3965	3865	3868

Art. 8P020600 VITON

Valve With Spring Return Actuator

DN	50	65	80	100	125	150	200	250	300
PN	16	16	16	16	16	16	16	16	16
A	266	279	312	328	354	398	493	524	697
B	338	357	401	430	477	536	661	731	940
Ø C	100	120	127	161	190	215	268	325	375
D	81	81	106	106	123	137	186	186	217
E	43	46	46	52	56	56	60	68	78
F	164	164	241	241	275	333	500	500	579
ACT.	SR 63	SR 63	SR 85	SR 85	SR 100	SR 115	SR 160	SR 160	SR200
RI	3843	3843	3844	3840	3846	4450	3848	3867	3309

Actuator air supply pressure minimum 6 Bar