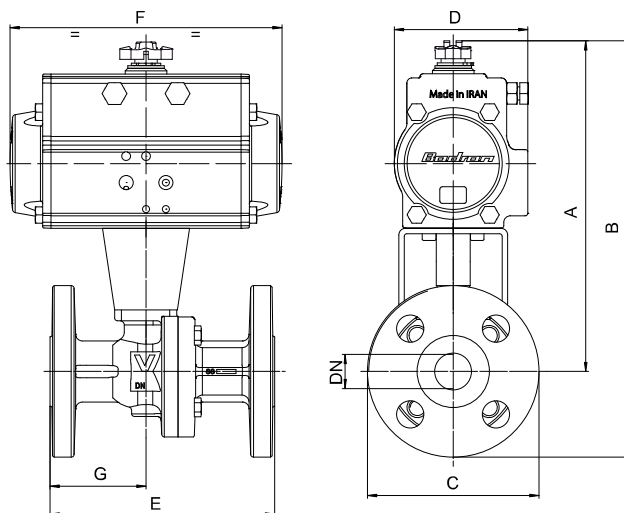


"SPLIT BODY" type flanged ANSI 300 ball valve [art. 761031], carbon steel WCB, full bore, fire safe, antistatic device, face to face to ANSI B16.10, classified ATEX Ex II 2 G/D c T3, with pneumatic actuator classified ATEX Ex II 2 G/D c T6.



Art. 8P021500

Valve With Double Acting Actuator

DN	15	20	25	40	50	80	100	150	200*
PN	50	50	50	50	50	50	50	50	25
A	185	200	218	268	289	346	395	508	608
B	233	259	281	346	372	451	523	668	798
C	95	118	125	155	165	210	255	320	381
D	71	81	81	95	106	123	137	186	217
E	140	152	165	190	216	283	305	403	502
F	141	164	164	210	241	275	333	500	579
G	62	61	71	79	86	81	89	172	251
ACT.	DA 52	DA 63	DA 63	DA 75	DA 85	DA 100	DA 115	DA 160	DA 200
RI	3519	3829	3563	3526	3522	3552	3565	3554	3555

* TRUNION $\Delta p=25$ bar

Art. 8P021600

Valve With Spring Return Actuator

DN	15	20	25	40	50	80	100	150	200*
PN	50	50	50	50	50	50	50	50	25
A	196	232	250	295	336	393	453	726	769
B	244	291	313	373	419	498	581	886	959
C	95	118	125	155	165	210	255	320	381
D	81	106	106	123	137	148	186	290	290
E	140	152	165	190	216	283	305	403	502
F	164	241	241	275	333	372	500	672	672
G	62	61	71	79	86	81	89	172	251
ACT.	SR 63	SR 85	SR 85	SR 100	SR 115	SR 125	SR 160	SR 270	SR 270
RI	3829	3571	3573	4117	3527	3528	3997	3753	3753

* TRUNION $\Delta p=25$ bar

Actuator air supply pressure minimum 6 Bar