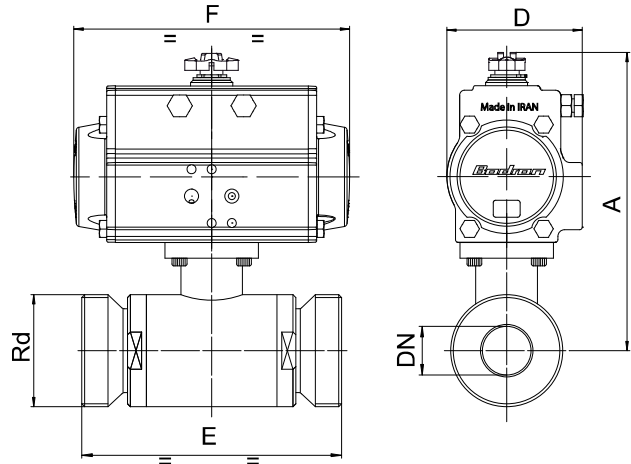


2 way ball valve, from **ingot**, P.T.F.E seals, AISI 316, DIN 11851 F/F connections, polished, with pneumatic actuator.



Art. 8P022300

Valve With Double Acting Actuator

DN	10	15	20	25	32	40	50	65	80	100
PN	64	64	64	40	40	40	25	25	25	25
A	141	143	147	165	170	189	197	240	251	265
D	71	71	71	81	81	81	81	106	106	106
E	88	92	102	106	112	126	136	154	184	190
F	141	141	141	164	164	164	164	241	241	241
Rd	28x1/8"	34x1/8"	44x1/6"	52x1/6"	58x1/6"	65x1/6"	78x1/6"	95x1/6"	110x1/4"	130x1/4"
ACT.	DA 52	DA 52	DA 52	DA 63	DA 63	DA 63	DA 63	DA 85	DA 85	DA 85

Art. 8P022400

Valve With Spring Return Actuator

DN	10	15	20	25	32	40	50	65	80	100
PN	64	64	64	40	40	40	25	25	25	25
A	141	143	147	197	202	221	229	253	311	325
D	71	71	71	106	106	106	106	123	148	148
E	88	92	102	106	112	126	136	154	184	190
F	141	141	141	241	241	241	241	275	372	372
Rd	28x1/8"	34x1/8"	44x1/6"	52x1/6"	58x1/6"	65x1/6"	78x1/6"	95x1/6"	110x1/4"	130x1/4"
ACT.	SR 52	SR 52	SR 52	SR 85	SR 85	SR 85	SR 85	SR 100	SR 125	SR 125

Actuator air supply pressure minimum 6 Bar