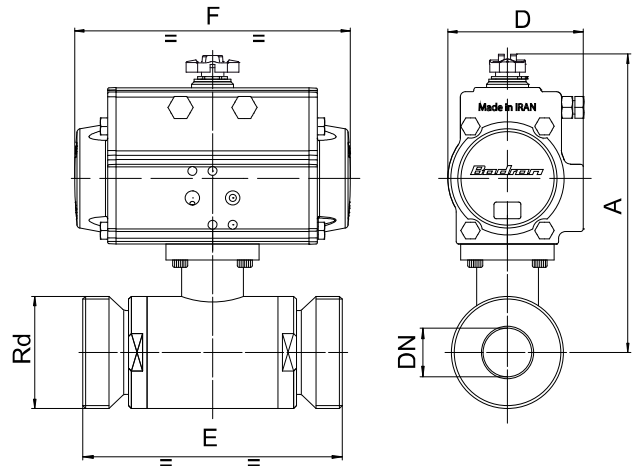


2 way ball valve, from **ingot**, P.T.F.E seals, AISI 304, DIN 11851 F/F connections, polished, with pneumatic actuator.



**Art. 8P022500**

Valve With Double Acting Actuator

DN	10	15	20	25	32	40	50	65	80	100
PN	64	64	64	40	40	40	25	25	25	25
A	141	143	147	165	170	189	197	240	251	265
D	71	71	71	81	81	81	81	106	106	106
E	88	92	102	106	112	126	136	154	184	190
F	141	141	141	164	164	164	164	241	241	241
Rd	28x1/8"	34x1/8"	44x1/6"	52x1/6"	58x1/6"	65x1/6"	78x1/6"	95x1/6"	110x1/4"	130x1/4"
ACT.	DA 52	DA 52	DA 52	DA 63	DA 63	DA 63	DA 63	DA 85	DA 85	DA 85

**Art. 8P022600**

Valve With Spring Return Actuator

DN	10	15	20	25	32	40	50	65	80	100
PN	64	64	64	40	40	40	25	25	25	25
A	141	143	147	197	202	221	229	253	311	325
D	71	71	71	106	106	106	106	123	148	148
E	88	92	102	106	112	126	136	154	184	190
F	141	141	141	241	241	241	241	275	372	372
Rd	28x1/8"	34x1/8"	44x1/6"	52x1/6"	58x1/6"	65x1/6"	78x1/6"	95x1/6"	110x1/4"	130x1/4"
ACT.	SR 52	SR 52	SR 52	SR 85	SR 85	SR 85	SR 85	SR 100	SR 125	SR 125

Actuator air supply pressure minimum 6 Bar