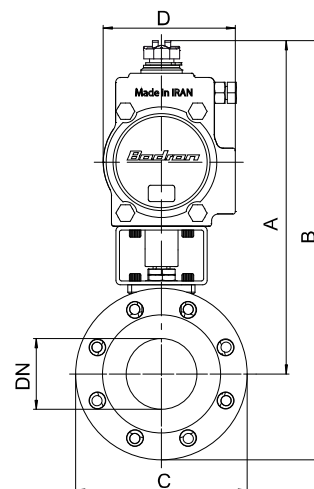
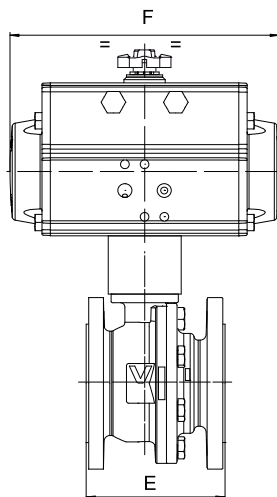


“SPLIT BODY” type flanged PN40 ball valve [art. 760041], carbon steel WCB, full bore, fire safe, antistatic device, face to face to EN558 basic series 27, classified ATEX Ex II 2 G/D c T3, with pneumatic actuator classified ATEX Ex II 2 G/D c T6.



Art. 8P024600

Valve With Double Acting Actuator

DN	15	20	25	32	40	50	65	80	100	150	200*
PN	40	40	40	40	40	40	40	40	40	40	40
A	Art. 8P011900	Art. 8P011900	Art. 8P011900	Art. 8P011900	Art. 8P011900	Art. 8P011900	312	346	395	508	610
B							405	446	513	658	798
C							185	200	235	300	375
D							123	123	137	186	217
E							170	180	190	350	400
F							275	275	333	500	579
ACT.							DA 100	DA 100	DA 115	DA 160	DA 200
RI	3522	3552	3528	3554	3555						

* TRUNION $\Delta p=25$ bar

Art. 8P024800

Valve With Spring Return Actuator

DN	15	20	25	32	40	50	65	80	100	150	200*
PN	40	40	40	40	40	40	40	40	40	40	40
A	Art. 8P012000	Art. 8P012000	Art. 8P012000	Art. 8P012000	Art. 8P012000	Art. 8P012000	358	393	453	726	771
B							451	493	571	876	959
C							185	200	235	300	375
D							148	148	186	290	290
E							170	180	190	350	400
F							372	372	500	672	672
ACT.							SR 125	SR 125	SR 160	SR 270	SR 270
RI	3527	3528	3997	3753	3753						

* TRUNION $\Delta p=25$ bar

Actuator air supply pressure minimum 6 Bar