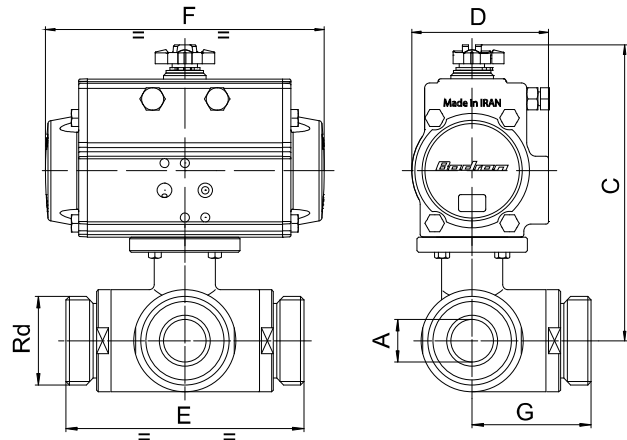


3 way ball valve, from **ingot**, 4 P.T.F.E seals, AISI 304, polished, DIN 11851 connection F/F/F, **FULL** bore, "T" or "L" port, with pneumatic actuator.



Art. 8P024900 (T) 8P021700 (L)

Valve With Double Acting Actuator

PN	40	40	40	25	25	16	16
DN - A	25	32	40	50	65	80	100
Rd	52x1/6"	58x1/6"	65x1/6"	78x1/6"	95x1/6"	110x1/4"	130x1/4"
C	174	195	220	237	247	274	289
D	81	81	95	106	106	123	123
E	140	156	172	182	196	256	286
F	164	164	210	241	241	275	275
G	70	78	86	91	98	128	143
ACT.	DA 63	DA 63	DA 75	DA 85	DA 85	DA 100	DA 100

Art. 8P025000 (T) 8P021800 (L)

Valve With Spring Return Actuator

PN	40	40	40	25	25	16	16
DN - A	25	32	40	50	65	80	100
Rd	52x1/6"	58x1/6"	65x1/6"	78x1/6"	95x1/6"	110x1/4"	130x1/4"
C	206	227	247	250	294	321	358
D	106	106	123	123	137	148	164
E	140	156	172	182	196	256	286
F	241	241	275	275	333	372	435
G	70	78	86	91	98	128	143
ACT.	SR 85	SR 85	SR 100	SR 100	SR 115	SR 125	SR 140

Actuator air supply pressure minimum 6 Bar