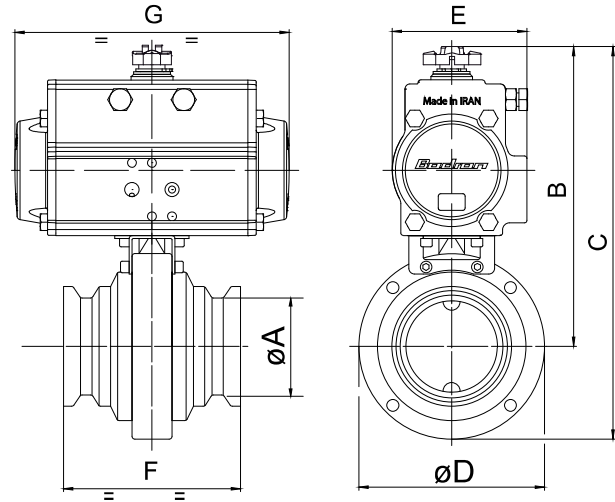


Butterfly valve, **CLAMP** connections, stainless steel AISI 304 with pneumatic actuator.



Art.8P025900

Valve With Double Acting Actuator

PN	6	6	6	6	6	6	6
CLAMP	3/4"	1"	1"1/2	2"	2"1/2	3"	4"
ØA	19	25	38	51	63	76	101
B	113	113	155	174	197	202	223
C	138	153	197	227	254	265	302
ØD	50	79	85	105	113	125	157
E	45	45	71	81	95	95	106
F	58	68	76	80	82	82	88
G	110	110	141	164	210	210	241
ACT.	DA 32	DA 32	DA 52	DA 63	DA 75	DA 75	DA 85

Art.8P026000

Valve With Spring Return Actuator

PN	6	6	6	6	6	6	6
CLAMP	3/4"	1"	1"1/2	2"	2"1/2	3"	4"
ØA	19	25	38	51	63	76	101
B	150	150	166	192	197	216	236
C	175	189	209	245	254	279	314
ØD	50	79	85	105	113	125	157
E	71	71	81	95	95	106	123
F	58	68	76	80	82	82	88
G	141	141	164	210	210	241	275
ACT.	SR 52	SR 52	SR 63	SR75	SR 75	SR 85	SR 100

Actuator air supply pressure minimum 6 Bar