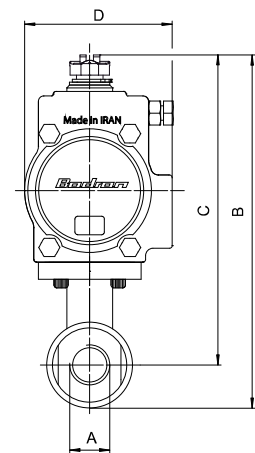
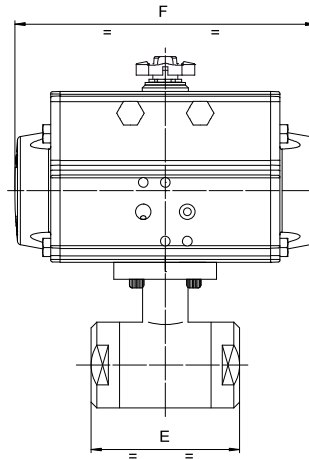


2 way ball valve stainless steel AISI 316, polished, seals in P.T.F.E, threaded F/F, with pneumatic actuator.



Art. 8P026300

Valve With Double Acting Actuator

PN	64	64	64	64	40	40	40	25	25	25	25
DN - A	1/4"	3/8"	1/2"	3/4"	1"	1 1/4"	1 1/2"	2"	2 1/2"	3"	4"
B	156	156	161	168	191	200	227	243	296	318	348
C	141	141	143	147	165	170	190	198	240	252	266
D	71	71	71	71	81	81	81	81	106	106	106
E	52	52	62	72	82	92	104	116	128	150	178
F	141	141	141	141	164	164	164	164	241	241	241
ACT.	DA 52	DA 52	DA 52	DA 52	DA 63	DA 63	DA 63	DA 63	DA 85	DA 85	DA 85

Art. 8P026400

Valve With Spring Return Actuator

PN	64	64	64	64	40	40	40	25	25	25	25
DN - A	1/4"	3/8"	1/2"	3/4"	1"	1 1/4"	1 1/2"	2"	2 1/2"	3"	4"
B	156	156	161	168	223	232	259	275	309	377	407
C	141	141	143	147	197	202	222	230	253	311	325
D	71	71	71	71	106	106	106	106	123	148	148
E	52	52	62	72	82	92	104	116	128	150	178
F	141	141	141	141	241	241	241	241	275	372	372
ACT.	SR 52	SR 52	SR 52	SR 52	SR 85	SR 85	SR 85	SR 85	SR 100	SR 125	SR 125

Actuator air supply pressure minimum 6 Bar