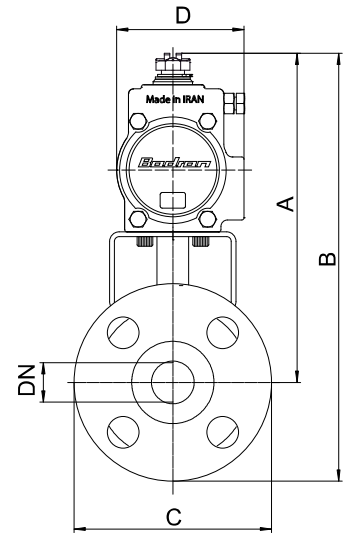
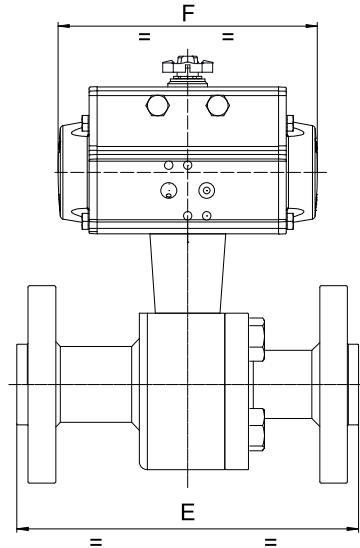
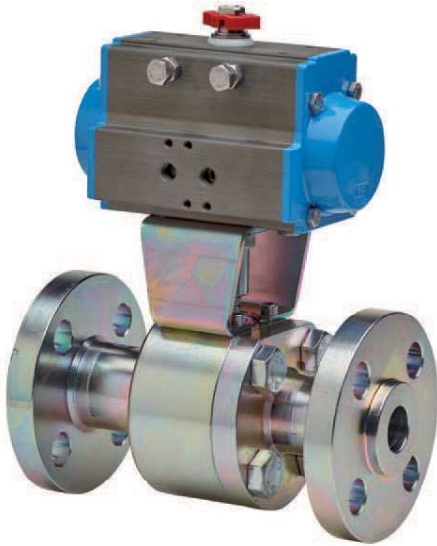


“SPLIT BODY” full bore [art. 760150], flanged ball valve, ANSI 600, carbon steel A350-LF2, antistatic device, ANSI B16.10, with pneumatic actuator.



**Art. 8P027100**

Valve With Double Acting Actuator

DN	15	20	25	40	50	80	100
PN	100	100	100	100	100	100	100
A	185	188	218	280	279	377	429
B	232	246	281	358	361	482	567
C	95	115	125	155	165	210	275
D	71	71	81	106	106	148	164
E	165	191	216	241	292	356	432
F	141	141	164	241	241	372	435
ACT.	DA 52	DA 52	DA 63	DA 85	DA 85	DA 125	DA 140
RI	3519	3519	3563	3526	3522	3565	3997

**Art. 8P027200**

Valve With Spring Return Actuator

DN	15	20	25	40	50	80	100
PN	100	100	100	100	100	100	100
A	196	218	250	328	326	423	485
B	244	275	313	405	409	528	623
C	95	115	125	155	165	210	275
D	81	95	106	137	137	186	213
E	165	191	216	241	292	356	432
F	164	210	241	333	333	500	493
ACT.	SR 63	SR 75	SR 85	SR 115	SR 115	SR 160	SR 180
RI	3829	3571	3573	4754	3527	3997	4755

Actuator air supply pressure minimum 6 Bar