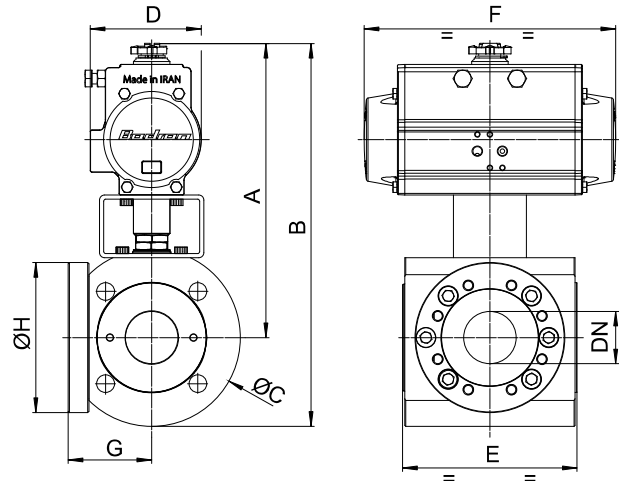
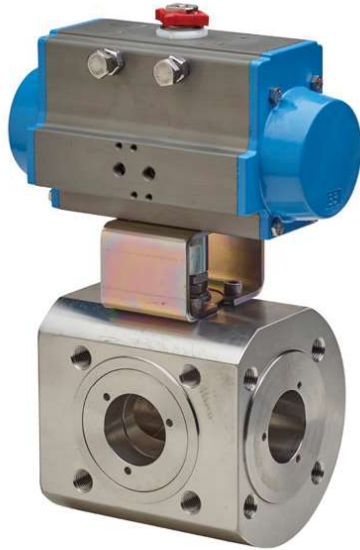


3-way ball valve type "COMBI-SFER" [art. 776401 (L) - 776400 (T)], "L" o "T" ported, with 4 seats, PN16 flanged, stainless steel AISI 316, full bore, with pneumatic actuator.



Art. 8P028200 "L" 8P028300 "T"

Valve With Double Acting Actuator

DN	15	20	25	32	40	50	65	80	100
PN	16	16	16	16	16	16	16	16	16
A	187	217	222	253	260	282	306	380	376
B	231	267	277	318	335	367	411	495	515
ØC	88	100	109	133	150	168	208	229	278
D	71	81	81	95	95	106	123	137	137
E	99	108	115	140	150	167	185	216	244
F	141	164	164	210	210	241	275	333	333
G	35	40	41,5	52,5	56,5	62	85	127	150
ØH	/	/	/	/	/	/	/	212	239
ACT.	DA 52	DA 63	DA 63	DA 75	DA 75	DA 85	DA 100	DA 115	DA 115
RI	4408	3563	3563	4410	3522	3522	4411	4412	4412

Art. 8P028400 "L" 8P028500 "T"

Valve With Spring Return Actuator

DN	15	20	25	32	40	50	65	80	100
PN	16	16	16	16	16	16	16	16	16
A	198	249	254	280	287	330	353	414	410
B	242	299	309	345	362	415	458	529	549
ØC	88	100	109	133	150	168	208	229	278
D	81	106	106	123	123	137	148	164	164
E	99	108	115	140	150	167	185	216	244
F	164	241	241	275	275	333	372	435	435
G	35	40	41,5	52,5	56,5	62	85	127	150
ØH	/	/	/	/	/	/	/	212	239
ACT.	SR 63	SR 85	SR 85	SR 100	SR 100	SR 115	SR 125	SR 140	SR 140
RI	4409	4131	4131	4410	4414	3550	4415	4406	4406

Actuator air supply pressure minimum 6 Bar