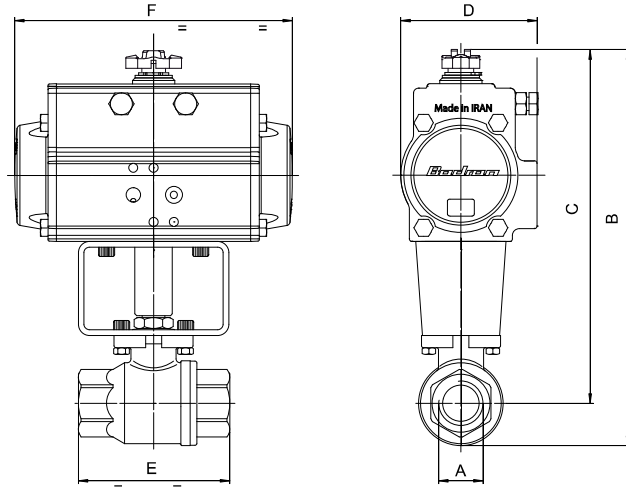


2 way ball valve [art. 705000], carbon steel ASTM A105-WCB, with ball and stem in stainless steel AISI 304, threaded F/F, full bore with pneumatic actuator.



Art. 8P039700

Valve With Double Acting Actuator

PN	64	64	64	64	64	64	64	64
A	1/4"	3/8"	1/2"	3/4"	1"	1"1/4	1"1/2	2"
B	121	121	127	210	219	229	269	301
C	106	106	109	188	192	197	229	253
D	45	45	45	71	71	71	81	95
E	55	55	66	79	93	98	110	130
F	110	110	110	141	141	141	164	210
ACT.	DA 32	DA 32	DA 32	DA 52	DA 52	DA 52	DA 63	DA 75
RI	3784	3784	3784	3781	3030	3030	3031	3034

Art. 8P039800

Valve With Spring Return Actuator

PN	64	64	64	64	64	64	64	64
A	1/4"	3/8"	1/2"	3/4"	1"	1"1/4	1"1/2	2"
B	157	157	163	222	231	241	301	328
C	142	142	145	200	204	209	261	281
D	71	71	71	81	81	81	106	123
E	55	55	66	79	93	98	110	130
F	141	141	141	164	164	164	241	275
ACT.	SR 52	SR 52	SR 52	SR 63	SR 63	SR 63	SR 85	SR 100
RI	3782	3782	3782	3783	3033	3033	3034	3034