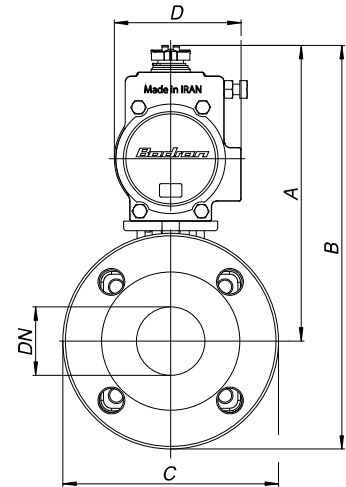
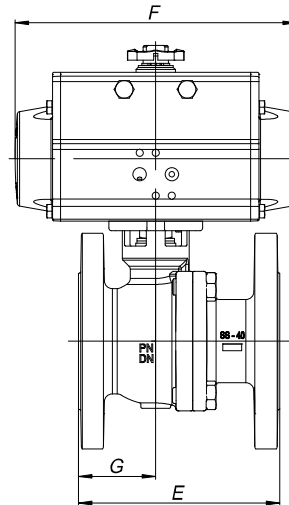


Flanged PN16 stainless steel AISI 316-CF8M ball valve, full bore "SPLIT BODY" type [art. 765000] ISO 5211 pad direct, fire safe, antistatic device, EN558 basic series 27 face to face dimension, with pneumatic actuator.



Art. 8P050200

Valve With Double Acting Actuator

DN	25	32	40	50	65	80	100
PN	40	40	40	40	16	16	16
A	160	173	193	221	256	265	292
B	217	243	268	303	349	365	402
C	115	140	150	165	185	200	220
D	71	71	81	95	106	106	123
E	125	130	140	150	170	180	190
F	141	141	164	210	241	241	275
G	53	55	52	58	63	76	80
ACT.	DA 52	DA 52	DA 63	DA 75	DA 85	DA 85	DA 100
RI	4579	4579	4581	4582	4584	4584	4586

Art. 8P050300

Valve With Spring Return Actuator

DN	25	32	40	50	65	80	100
PN	40	40	40	40	16	16	16
A	171	184	225	247	303	325	339
B	229	254	300	330	396	425	449
C	115	140	150	165	185	200	220
D	81	81	106	123	137	148	148
E	125	130	140	150	170	180	190
F	164	164	241	275	333	372	372
G	53	55	52	58	63	76	80
ACT.	SR 63	SR 63	SR 85	SR 100	SR 115	SR 125	SR 125
RI	4580	4580	4582	4583	4585	4585	4587