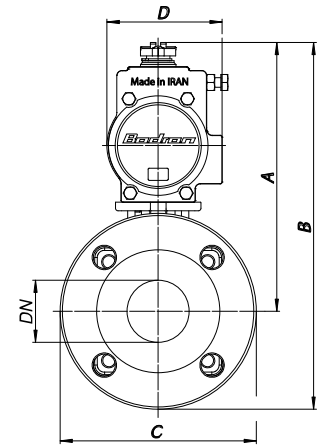
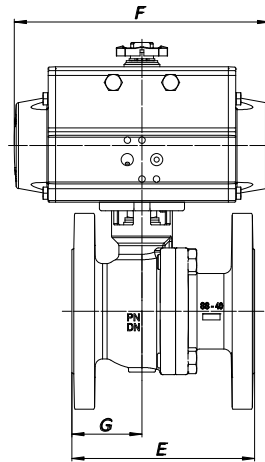


Flanged ANSI 150 stainless steel AISI 316-CF8M ball valve, full bore "SPLIT BODY" type [art. 766000] ISO 5211 pad direct, fire safe, antistatic device, ANSI B 16.10 face to face dimension, with pneumatic actuator.



Art. 8P050600

Valve With Double Acting Actuator

DN	25	40	50	80	100
PN	20	20	20	20	20
A	160	193	221	265	292
B	215	258	296	360	407
C	110	130	150	190	230
D	71	81	95	106	123
E	127	165	178	203	229
F	141	164	210	241	275
G	54	76	85	93	100
ACT.	DA 52	DA 63	DA 75	DA 85	DA 100
RI	4579	4581	4582	4584	4586

Art. 8P050700

Valve With Spring Return Actuator

DN	25	40	50	80	100
PN	20	20	20	20	20
A	171	225	247	325	339
B	226	290	322	419	454
C	110	130	150	190	230
D	81	106	123	148	148
E	127	165	178	203	229
F	164	241	275	372	372
G	54	76	85	93	100
ACT.	SR 63	SR 85	SR 100	SR 125	SR 125
RI	4580	4582	4583	4585	4587