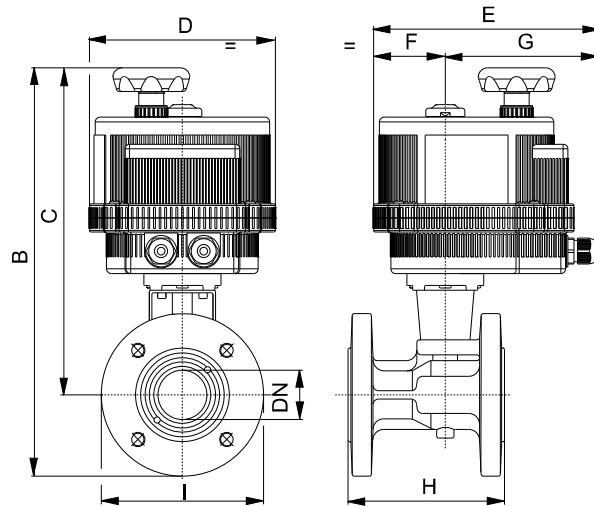


2 way flanged ball valve, cast iron G250 [art. 730007 da DN40 a DN65 - art. 730003 da DN80 a DN150], with ball and stem in stainless steel AISI 304 (face to face according to EN 558 BASIC SERIE14), with electric actuator series 85. (Self-Extinguish Technopolymer Enclosure)



Art. 8E010***

| DN | 40 | 50 | 65 | 80 | 100 | 125 | 150 |
|------|--------|--------|--------|--------|--------|--------|--------|
| PN | 16 | 16 | 16 | 16 | 16 | 16 | 16 |
| B | 404 | 419 | 460 | 478 | 527 | 564 | 607 |
| C | 329 | 336 | 367 | 378 | 417 | 440 | 464 |
| D | 185 | 185 | 211 | 211 | 211 | 211 | 222 |
| E | 215 | 215 | 237 | 237 | 237 | 237 | 247 |
| F | 68 | 68 | 84 | 84 | 84 | 84 | 77 |
| G | 147 | 147 | 153 | 153 | 153 | 153 | 170 |
| H | 140 | 150 | 170 | 180 | 190 | 200 | 210 |
| I | 150 | 165 | 185 | 200 | 220 | 250 | 285 |
| ACT. | VB 060 | VB 060 | VB 110 | VB 110 | VB 190 | VB 190 | VB 350 |
| RI | 3002 | 3002 | 3003 | 3003 | 3004 | 3004 | 3006 |

| *** VOLTAGE SUPPLY ORDER CODE | | |
|-------------------------------|--------------|--------------|
| 12V AC/DC | 24V AC/DC | 100-240V AC |
| + 001 | + 002 | + 004 |