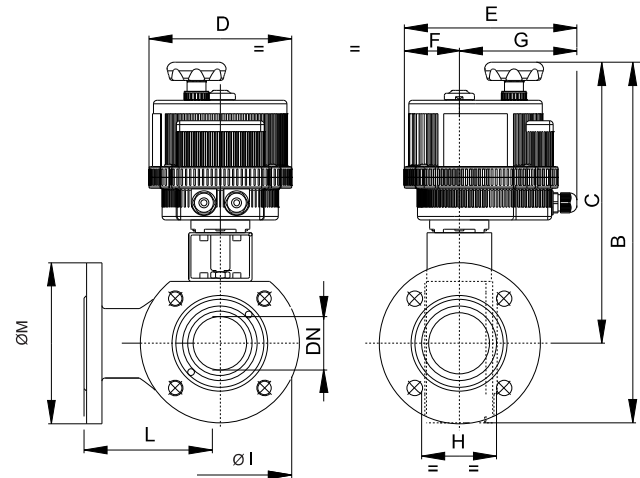


3 way "WAFER" ball valve (diverting) [art. 776000 (L) - art.776001 (T)], "T" or "L" port, two seats, flanged PN16, in carbon steel ASTM A105, reduced bore, with electric actuator series 85.(Self-Extinguish Technopolymer Enclosure)



Art. 8E013 (T)*** - 8E015 (L)***

DN	15	20	25	32	40	50	65	80	100	125	150
PN	16	16	16	16	16	16	16	16	16	16	16
B	268	278	334	352	399	415	459	477	524	564	616
C	224	228	279	287	329	335	369	377	414	440	463
D	123	123	157	157	185	185	211	211	211	211	222
E	164	164	191	191	215	215	237	237	237	237	247
F	43	43	61	61	68	68	84	84	84	84	77
G	121	121	130	130	147	147	153	153	153	153	170
H	40	40	46	58	71	82	106	122	152	196	242
Ø I	89	99	109	130	140	160	180	200	220	250	306
L	76	82	86	100	105	115	125	150	159	190	210
Ø M	95	105	115	140	150	165	185	200	220	250	285
ACT.	VB 015	VB 015	VB 030	VB 030	VB 060	VB 060	VB 110	VB 110	VB 190	VB 190	VB 350
RI	3780	3013	3001	3008	3002	3002	3003	3003	3004	4558	3042

*** VOLTAGE SUPPLY ORDER CODE		
12V AC/DC	24V AC/DC	100-240V AC
+ 001	+ 002	+ 004